

▲ AF ECO 25 Light,
25x25, 50x50, 75x75, grid hole Dia 12,5

Profile in original size **ALUFIX ECO**

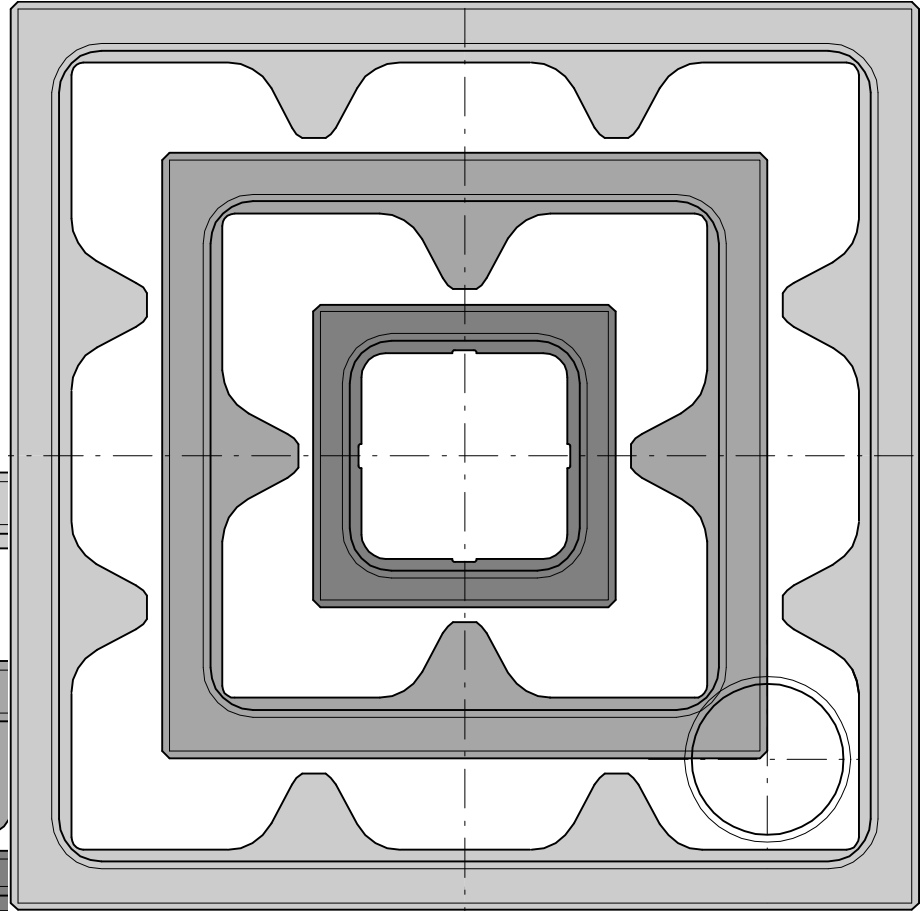
Material: Medium tensile aluminium alloy

Tensile strength: Min. 280 N/mm²

Hardness: Min. 82 HB

Yield strength: Min. 200 N/mm²

E-Module: 70.000 N/mm²




▲ AF ECO 40 Light,
40x40, 80x80,
120x120, grid hole Dia 20

AF ECO 50 Light,
50x50, 100x100,
150x150,
grid hole Dia 25

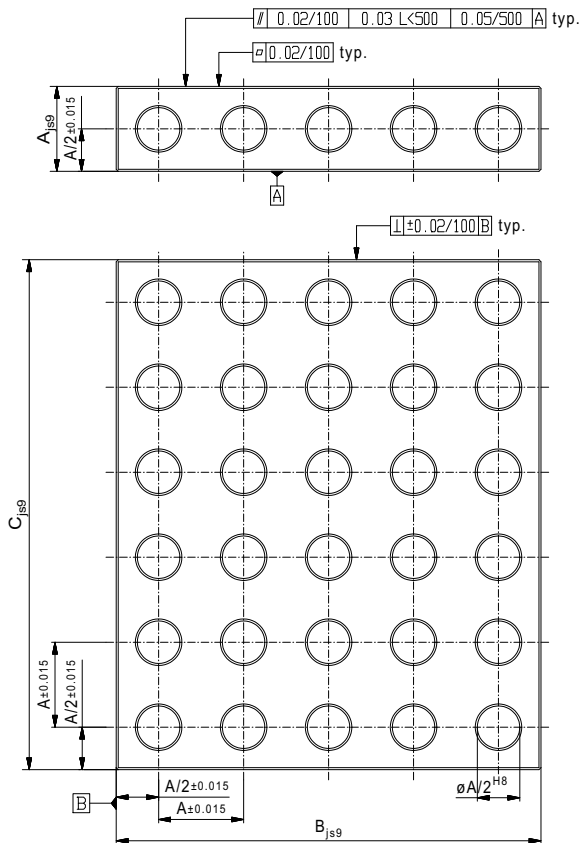


ALUFIX ECO

ALUFIX ECO is a product for use where highest accuracy is not required but where all other economics aspects - ECO - play a bigger role. ALUFIX ECO is fully compatible with all other Witte systems on the market, it makes full use of the spectrum of technological functions and properties. ALUFIX ECO is available in standard lengths from stock

 Connection elements for ECO are shown on page 158





Base plates ALUFIX ECO



Base plates

AF25 ECO, A=25

Nr.	A x B x C	
21488-E	25 x 100 x 125	500
28032-E	25 x 100 x 150	600
21350-E	25 x 150 x 150	900
21352-E	25 x 150 x 200	1.200
21354-E	25 x 150 x 250	1.500
21356-E	25 x 200 x 200	1.600
28033-E	25 x 200 x 300	2.600

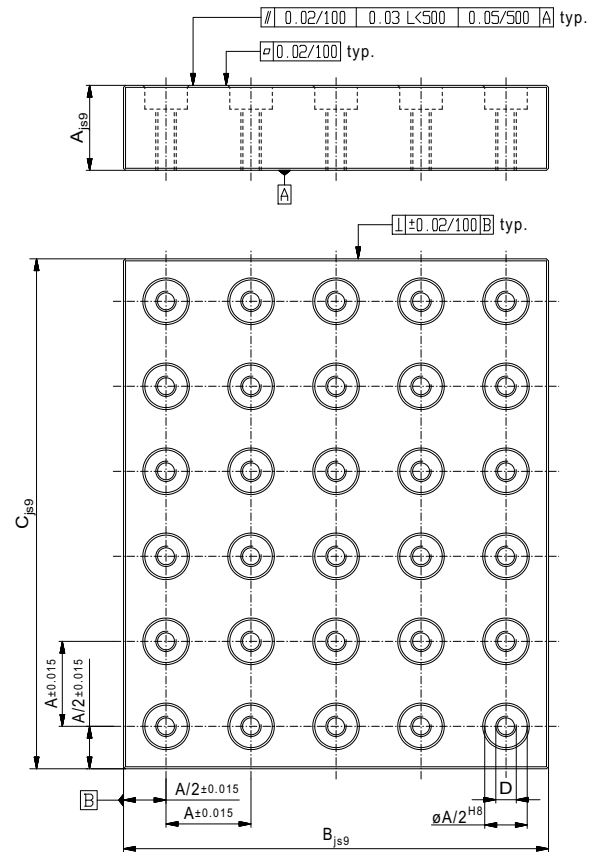
AF40 ECO, A=40,

Nr.	A x B x C	
22862-E	40 x 160 x 200	2.000
22861-E	40 x 160 x 240	2.500
22860-E	40 x 200 x 200	2.600
22842-E	40 x 200 x 240	3.100
22843-E	40 x 200 x 320	4.100
21259-E	40 x 200 x 360	4.600
22851-E	40 x 200 x 400	5.200
21266-E	40 x 320 x 320	6.500

AF50 ECO, A=50

Nr.	A x B x C	
28100-E	50 x 200 x 250	4.000
27857-E	50 x 200 x 300	5.000
28102-E	50 x 250 x 250	5.000
28104-E	50 x 250 x 500	10.000
28105-E	50 x 300 x 300	7.200
28107-E	50 x 300 x 400	10.000
28109-E	50 x 300 x 500	12.000
28111-E	50 x 400 x 400	13.000
28113-E	50 x 400 x 600	24,000

Grid base plates ALUFIX ECO



Grid base plates

AF25 ECO,
A=25, D=M6

Nr.	A x B x C	\bar{g}
20387-E	25 x 200 x 400	5.500
20388-E	25 x 250 x 500	8.600
20403-E	25 x 300 x 400	8.400
20386-E	25 x 300 x 600	12.400
22923-E	25 x 400 x 500	13.300
22925-E	25 x 400 x 600	16.800
20439-E	25 x 500 x 500	17.500
20381-E	25 x 500 x 1000	34.400
20382-E	25 x 600 x 600	24.800
20384-E	25 x 600 x 800	33.000

AF40 ECO,
A=40, D=M10

Nr.	A x B x C	\bar{g}
20650-E	40 x 320 x 640	22.600
20651-E	40 x 400 x 800	35.300
20710-E	40 x 480 x 640	33.900
20711-E	40 x 480 x 960	50.800
20713-E	40 x 640 x 800	56.400
20714-E	40 x 640 x 960	67.600
20715-E	40 x 800 x 800	70.400
20808-E	40 x 800 x 1600	140.000
20809-E	40 x 960 x 960	101.200
20810-E	40 x 960 x 1280	135.000

AF50 ECO,
A=50, D=M12

Nr.	A x B x C	\bar{g}
28083-E	50 x 400 x 400	22.000
28084-E	50 x 500 x 1000	69.000
28085-E	50 x 600 x 800	66.000
28086-E	50 x 600 x 1200	100.000
28087-E	50 x 800 x 1000	110.000
28088-E	50 x 800 x 1200	138.000
28089-E	50 x 1000 x 1000	133.000
28090-E	50 x 1000 x 2000	276.000
28091-E	50 x 1200 x 1200	198.000
28092-E	50 x 1200 x 1600	248.000



ALUFIX ECO elements can be anodized in different colours. The colour natural (-E) is standard, blue (-E2) is available as an alternative. Black (-E1) and other colours on request

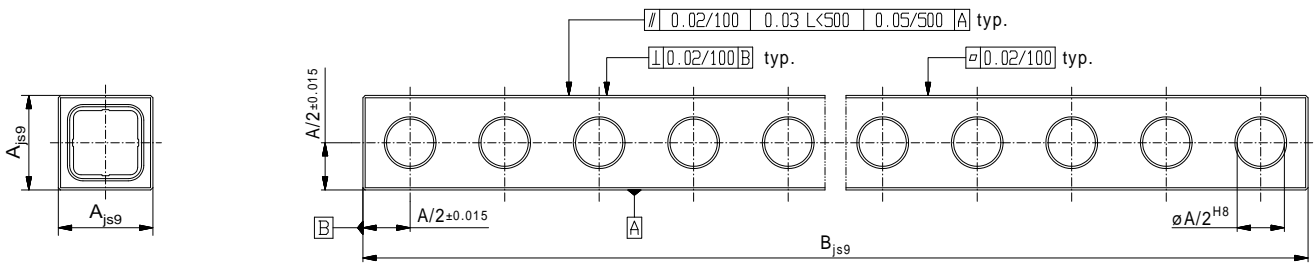


Light bars one row

ALUFIX ECO Light bars are suitable for medium to large fixtures as basic frame material and also for connections direct to the workpiece.

They can be connected using the bores on all 4 sides with quick

or screw connectors, ECO couplings (page 196/197) are used for the face ends.



AF25 ECO

A=25, 25 x 25

Nr.	B	g
24340-E	50	40
25013-E	100	70
25374-E	150	110
24336-E	200	140
22946-E	250	170
24337-E	300	200
25012-E	350	240
23283-E	400	270
25890-E	450	300
22947-E	500	360
21333-E	600	430
24339-E	700	500
24189-E	800	570
25895-E	900	640
22948-E	1000	710

AF40 ECO

A=40, 40 x 40

Nr.	B	g
25039-E	120	150
25377-E	160	180
26505-E	200	200
25378-E	240	270
27342-E	280	300
25379-E	320	360
27183-E	360	400
23549-E	400	450
25945-E	480	540
27444-E	600	650
23550-E	800	900
24495-E	1000	1.100
23551-E	1200	1.350

AF50 ECO

A=50, 50 x 50

Nr.	L	g
28149-E	50	160
28150-E	100	320
28151-E	150	490
28152-E	200	640
28153-E	250	800
28154-E	300	960
28155-E	400	1.280
26933-E	500	1.600
28615-E	600	1.900
33297-E	800	2.600
26935-E	1000	3.200
33298-E	1200	3.800
26937-E	1500	4.900
26939-E	2000	6.400
26943-E	3000	9.800
26947-E	4000	13.000

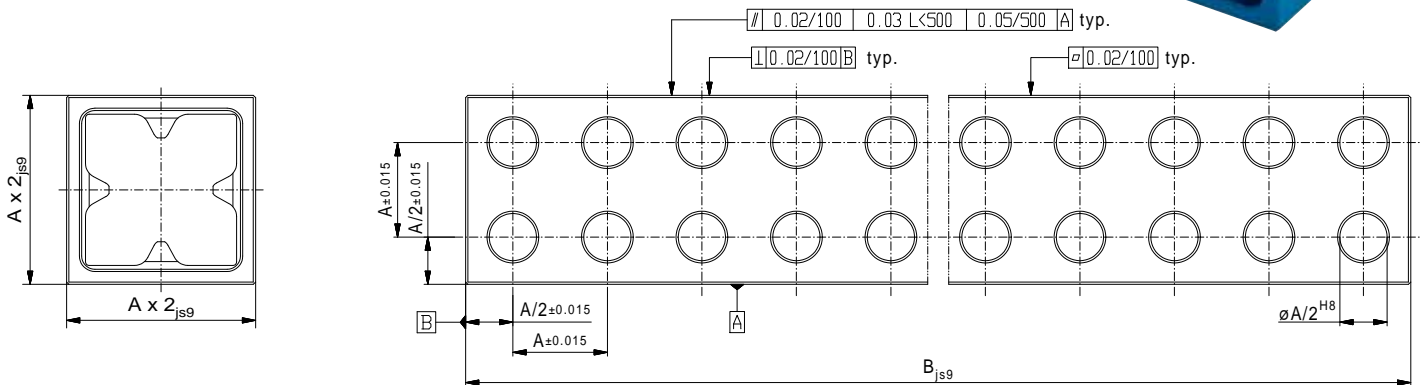
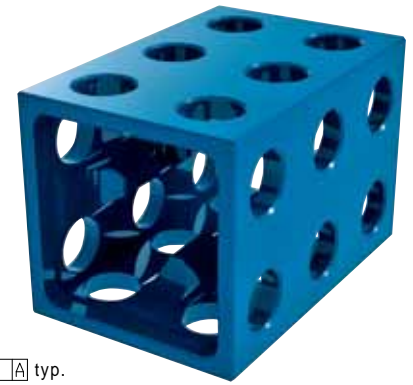


Light bars two row

ALUFIX ECO Light bars are suitable for medium to large fixtures as basic frame material and also for connections direct to the workpiece.

They can be connected using the bores on all 4 sides with quick

or screw connectors, ECO couplings (page 196/197) are used for the face ends.



AF25 ECO

A=25, 50 x 50

AF40 ECO

A=40, 80 x 80

AF50 ECO

A=50, 100 x 100

Nr.	B	g
26617-E	50	0.12
25375-E	100	0.24
20426-E	150	0.373
20427-E	200	0.48
22949-E	250	0.60
20254-E	300	0.72
24246-E	350	0.84
20256-E	400	0.96
24248-E	450	1.08
22950-E	500	1.20
24250-E	600	1.44
24251-E	700	1.68
28353-E	800	1.92
24319-E	900	2.16
22951-E	1000	2.4
25025-E	1200	2.9
27915-E	1400	3.4
22952-E	1500	3.6
21226-E	2000	4.8

Nr.	B	g
24393-E	80	480
24940-E	120	720
23937-E	160	810
23938-E	200	1.200
24392-E	240	1.500
24641-E	320	1.900
24809-E	360	2.200
23559-E	400	2.400
24390-E	480	2.900
24451-E	600	3.600
23560-E	800	4.800
24624-E	1000	6.000
23561-E	1200	7.200
23562-E	1600	9.600
23563-E	2000	12.000
23564-E	2400	14.400
25034-E	3000	18.000
23567-E	3600	21.600
23568-E	4000	24.000
23570-E	4800	28.800

Nr.	B	g
27569-E	100	900
28122-E	150	1.300
26735-E	200	1.700
27504-E	250	2.100
26821-E	300	2.600
26786-E	400	3.400
26787-E	500	4.300
26788-E	600	5.200
27505-E	800	6.900
26957-E	1000	8.600
27920-E	1200	10.300
26959-E	1500	12.900
26961-E	2000	17.200
26965-E	3000	25.800
26969-E	4000	34.400
26973-E	5000	43.000
26977-E	6000	51.600



ALUFIX ECO elements can be anodized in different colours. The colour natural (-E) is standard, blue (-E2) is available as an alternative. Black (-E1) and other colours on request

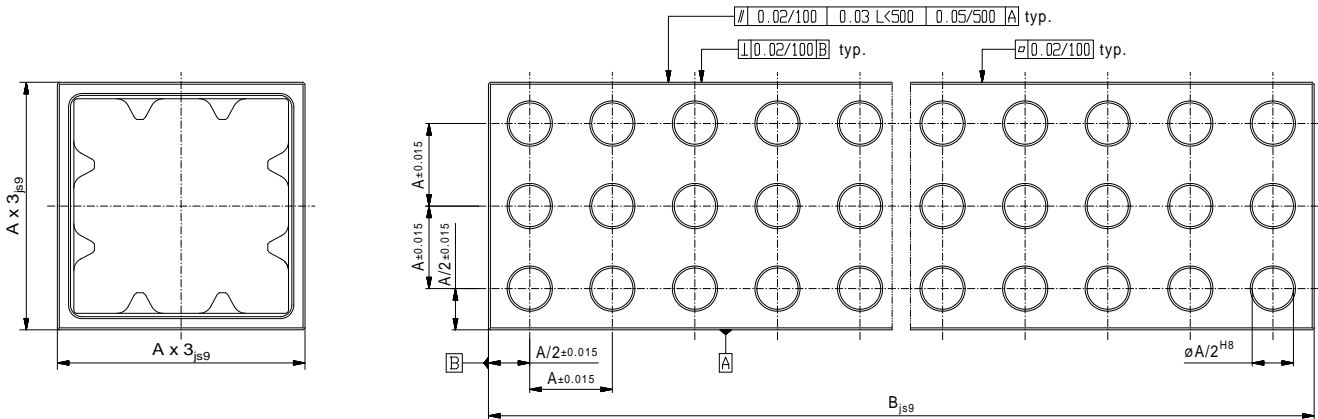
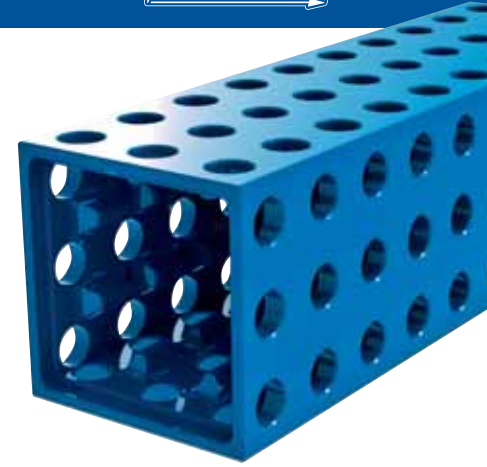
Other dimensions on request

Light bars three row

ALUFIX ECO Light bars are suitable for medium to large fixtures as basic frame material and also for connections direct to the workpiece.

They can be connected using the bores on all 4 sides with quick

or screw connectors, ECO couplings (page 196/197) are used for the face ends.



AF25 ECO

A=25, 75 x 75

Nr.	B	⊕
24882-E	100	350
25376-E	200	700
25076-E	300	1.050
27412-E	400	1.410
22618-E	500	1.770
33090-E	600	2.120
31538-E	800	2.830
22621-E	1000	3.500
30751-E	1200	4.200
22624-E	1500	5.300
22771-E	2000	7.000

AF40 ECO

A=40, 120 x 120

Nr.	B	⊕
24950-E	160	1.500
25123-E	200	1.900
24951-E	240	2.200
24952-E	320	3.000
25122-E	360	3.400
23574-E	400	3.700
25124-E	600	5.600
23575-E	800	7.400
27435-E	1000	9.300
23576-E	1200	11.200
23577-E	1600	
14.900	23578-E	2000
18.600	23579-E	2400
22.300	27453-E	3000
27.900	23582-E	3600
33.500	23583-E	4000
37.200	23585-E	4800

AF50 ECO

A=50, 150 x 150

Nr.	B	⊕
28123-E	100	1.400
28124-E	150	2.000
28125-E	200	2.700
27521-E	250	3.400
26817-E	300	4.100
28127-E	400	5.500
26978-E	500	6.800
33302-E	600	8.200
29366-E	800	10.900
26979-E	1000	13.600
33304-E	1200	16.300
26981-E	1500	20.400
26983-E	2000	27.200
26987-E	3000	40.800
26991-E	4000	54.400
26995-E	5000	68.000
26999-E	6000	81.600

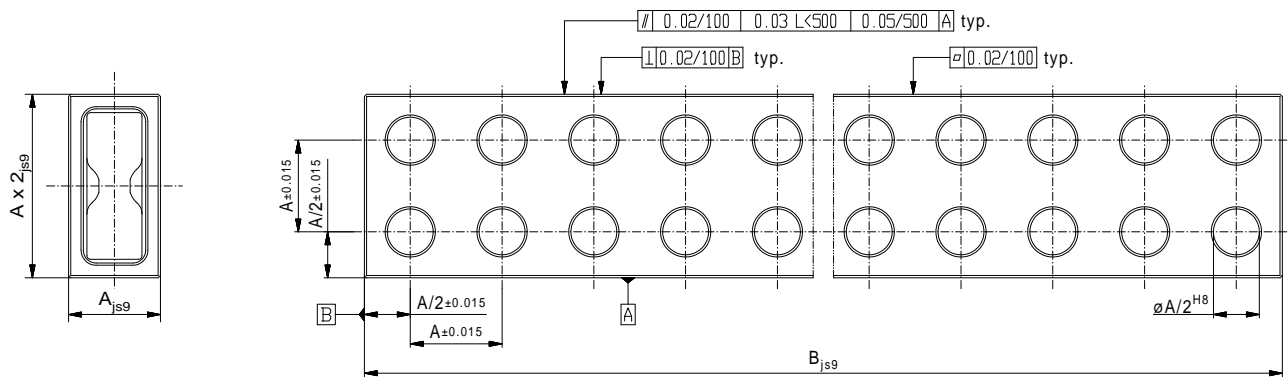


Light bars rectangular

ALUFIX ECO Light bars are suitable for medium to large fixtures as basic frame material and also for connections direct to the workpiece.

They can be connected using the bores on all 4 sides with quick

or screw connectors, ECO couplings (page 196/197) are used for the face ends.



AF25 ECO

A=25, 25 x 50

Nr.	B	g
55090-E	50	80
55091-E	100	150
55092-E	150	230
55093-E	200	300
55094-E	250	380
55095-E	300	450
55097-E	400	600
55099-E	500	750
55101-E	600	900
55103-E	700	1.050
55105-E	800	1.200
55107-E	900	1.350
55109-E	1000	1.500
55113-E	1200	1.800
55119-E	1500	2.250
55129-E	2000	3.000

AF40 ECO

A=40, 40 x 80

Nr.	B	g
57400-E	80	279
57401-E	120	418
57402-E	160	557
57403-E	200	697
57404-E	240	836
57405-E	280	975
57406-E	320	1.115
57408-E	400	1.393
57410-E	480	1.672
57413-E	600	2.090
57418-E	800	2.786
57423-E	1000	3.483
57428-E	1200	4.180
57438-E	1600	5.573
57448-E	2000	6.966
57473-E	3000	10.449



i ALUFIX ECO elements can be anodized in different colours. The colour natural (-E) is standard, blue (-E2) is available as an alternative. Black (-E1) and other colours on request

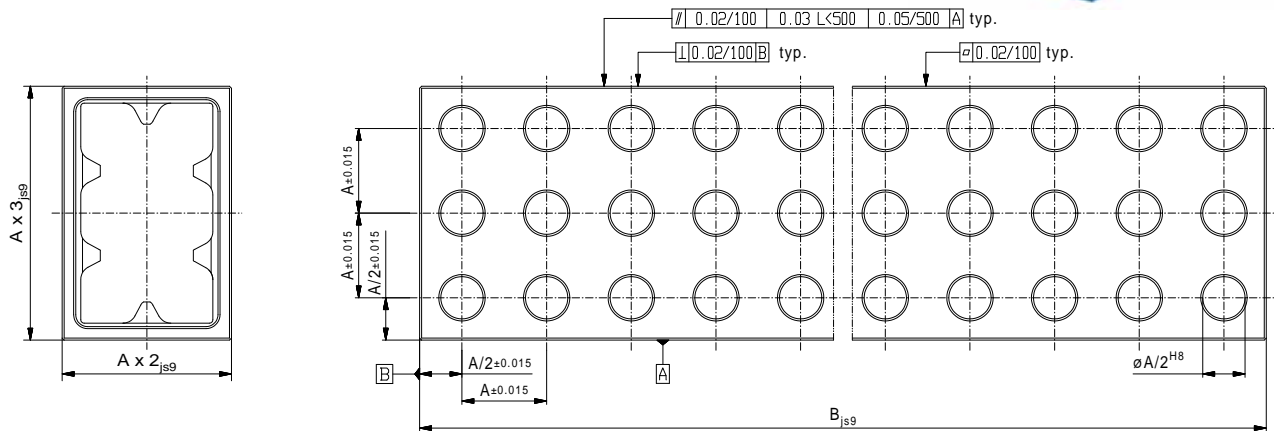
i Other dimensions on request

Light bars rectangular

ALUFIX ECO Light bars are suitable for medium to large fixtures as basic frame material and also for connections direct to the workpiece.

They can be connected using the bores on all 4 sides with quick

or screw connectors, ECO couplings (page 196/197) are used for the face ends.



AF25 ECO A=25, 25 x 50

Nr.	B	g
122567-E	100	230
122568-E	200	460
122569-E	300	690
122570-E	400	920
122571-E	500	1.150
122572-E	600	1.380
122573-E	800	1.840
122574-E	1000	2.300
122575-E	1200	2.760
122576-E	1500	3.450
122577-E	2000	7.000

AF40 ECO A=40, 40 x 80

Nr.	B	g
122285-E	160	1.000
122286-E	200	1.250
122287-E	240	1.500
122289-E	320	2.000
122290-E	360	2.250
122291-E	400	2.500
122296-E	600	3.750
122301-E	800	5.000
122306-E	1000	6.250
122311-E	1200	7.500
122321-E	1600	
10.000	122331-E	2000
12.500	122341-E	2400
15.000	122354-E	3000
18.750	122369-E	3600
22.500	122379-E	4000
25.000	122578-E	4800

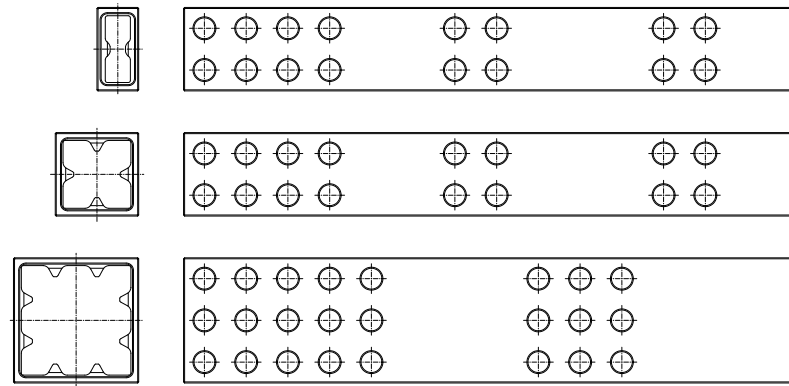
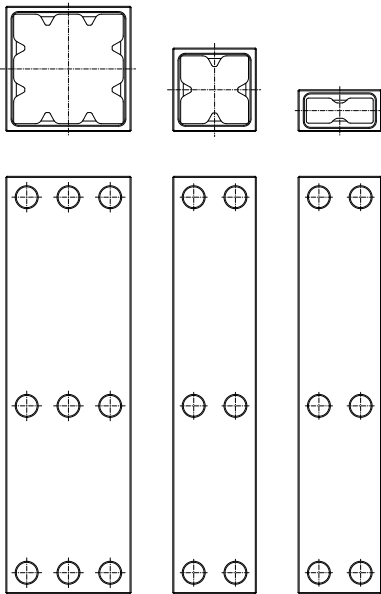
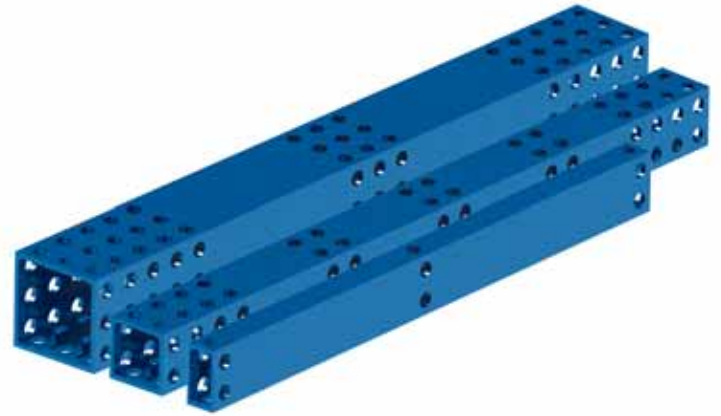


Blind Covers for ALUFIX ECO bars see page 29

Light bars CX/SX

ALUFIX ECO

Alufix ECO Light bars CS/SX with reduced number of drilled holes are an economical alternative to normal ECO Light bars. Alufix ECO Light bars CX/SX are available on request in the same dimensions as normal ECO Light bars, pages 20-27.



Light bar SX: Version with dedicated areas of holes

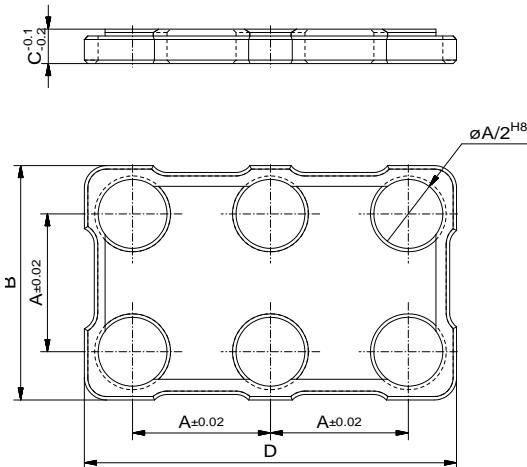
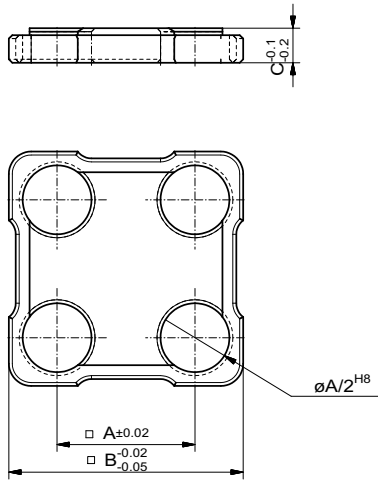
Light bars CX: For column type design with one row of holes at each end.
With further rows of one hole to mount struts depending on the length



i ALUFIX ECO elements can be anodized in different colours. The colour natural (-E) is standard, blue (-E2) is available as an alternative. Black (-E1) and other colours on request

i Light bars CX/SX are also available in Classic version, see page 29. Other dimensions on request

ALUFIX ECO Connection elements



Single couplings for face connections.

Single couplings

for Light bars one row

Nr.	System	A	B	C	
23315-E	AF 25	25	19	5	4
20794-E	AF 40	40	32	10	16
26930-E	AF 50	50	32	12,5	29

for Light bars rectangular 1x2

Nr.	System	A	B	C	
55134-E	AF 25	25	17	5	10
57211-E	AF 40	20	32	10	50

for Light bars two row

Nr.	System	A	B	C	
23325-E	AF 25	25	42	6	26
20792-E	AF 40	40	68	10	120
26727-E	AF 50	50	84	12,5	228

for Light bars three row

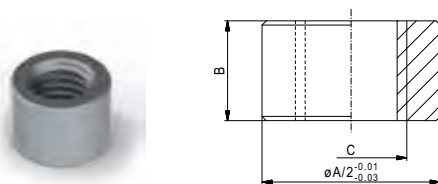
Nr.	System	A	B	C	
23612-E	AF 25	25	67	6	79
23613-E	AF 40	40	108	10	333
26853-E	AF 50	50	134	12,5	670

for Light bars three row 2x3

Nr.	System	A	B	C	D	
122400-E	AF 40	40	68	10	108	-

Plain sleeve, short

for angle brackets, page 200



Nr.	AF	A	B	C	
21386-E	25	12,5	7	M8	2
21278-E	40	20	11	M14x1,5	9
26733-E	50	25	13,05	M18x1,5	20

Double couplings

for Light bars one row

Nr.	System	A	B	C	∅A	g
23320-E	AF 25	25	19	10	6,6	8
20793-E	AF 40	40	32	20	11	31
26931-E	AF 50	50	32	25	13,5	38

for Light bars rectangular

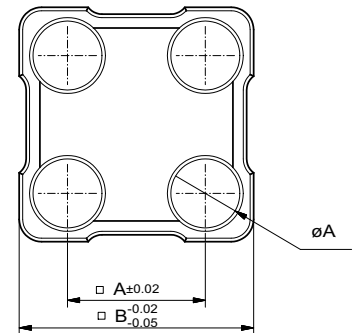
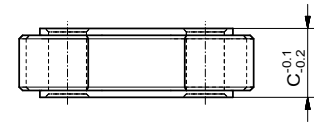
Nr.	System	A	B	C	∅A	g
55316-E	AF 25	25	19	10	6,6	40
57212-E	AF 40	40	32	20	11	110

for Light bars two row

Nr.	System	A	B	C	∅A	g
23330-E	AF 25	25	42	12,5	6,6	53
20791-E	AF 40	40	68	20	11	240
26850-E	AF 50	50	84	25	13,5	465

for Light bars three row

Nr.	System	A	B	C	∅A	g
23615-E	AF 25	25	67	12,5	6,6	155
23616-E	AF 40	40	108	20	6,6	682
26851-E	AF 50	50	134	25	13,5	1.394

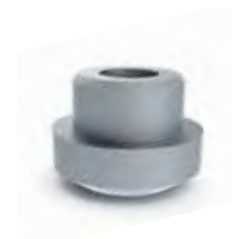
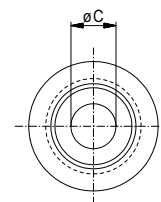
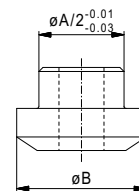


Double couplings for bar-bar connections.

Fixing sleeve

alternative to couplings

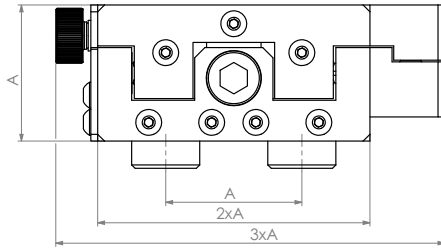
Nr.	A (AF)	B	C	for Profile	g
120527-E	25	17	6,6	50x50+25x50	8
120528-E	25	19	6,6	25x25	11
120529-E	40	28	11	80x80+40x80	33
120530-E	40	32	11	40x40	44
120531-E	50	34	13,5	100x100+50x100	63
120532-E	50	32	13,5	50x50	56



ALUFIX ECO elements can be anodized in different colours. The colour natural (-E) is standard, blue (-E2) is available as an alternative. Black (-E1) and other colours on request


Other dimensions on request

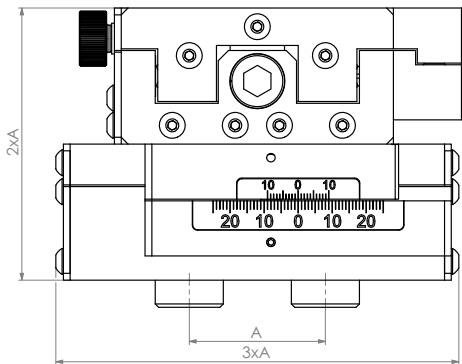




Roller slide


with removable spindle and locking clamp

Nr.	A(AF)	shift	max. load	
82172-E	25	+/- 13,5	50kg	230
82173-E	40	+/- 22	150kg	900
82398-E	50	+/- 27	250kg	1.750



Cross roller slide

with removable spindle and locking clamp

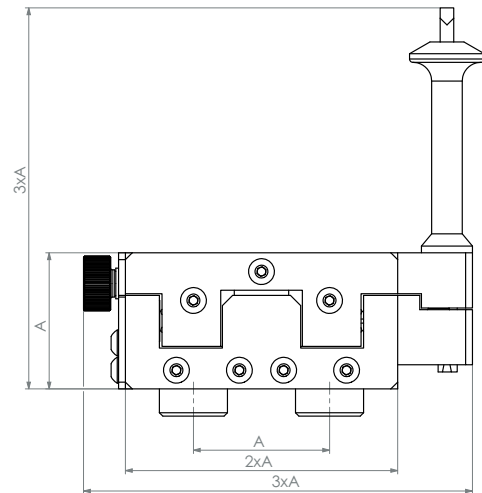
Nr.	A(AF)	shift	max. load	
82462-E	25	+/- 13,5	50kg	560
82463-E	40	+/- 22	150kg	2.000
82399-E	50	+/-27,5	250kg	4.000



Guiding slide

with slide stop, positioning guide and pin, locking clamp

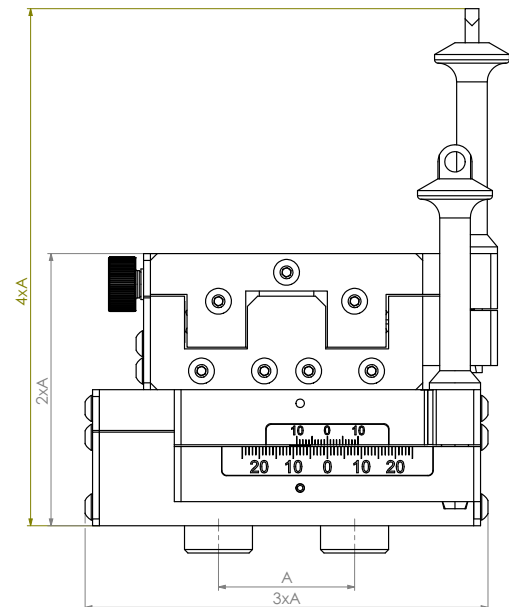
Nr.	A(AF)	shift	max. load	
82002-E	25	+/-13,5	50kg	250
82016-E	40	+/-22	150kg	1.024
82441-E	50	+/-27,5	250kg	6.000



Cross guiding slide

with slide stop, positioning guide and pin, locking clamp

Nr.	A(AF)	shift	max. load	
82437-E	25	+/- 13,5	50kg	520
82438-E	40	+/- 22	150kg	2.100
82439-E	50	+/- 27,5	250kg	12.500

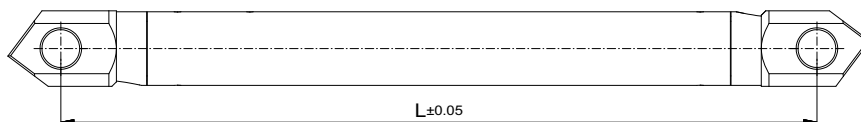


ALUFIX ECO elements can be anodized in different colours. The colour natural (-E) is standard, blue (-E2) is available as an alternative. Black (-E1) and other colours on request

Other dimensions on request

Struts

Alufix ECO



AF25 ECO

Struts, 25x25

Grid 25, grid hole dia 12,5mm

Nr.	L	g
81443-E	125	168
81444-E	250	285
81445-E	375	402
81327-E	500	518
81328-E	625	641
81329-E	750	752
81330-E	875	872
81331-E	1000	979

AF40 ECO

Struts, 40x40

Grid 40, grid hole dia 20mm

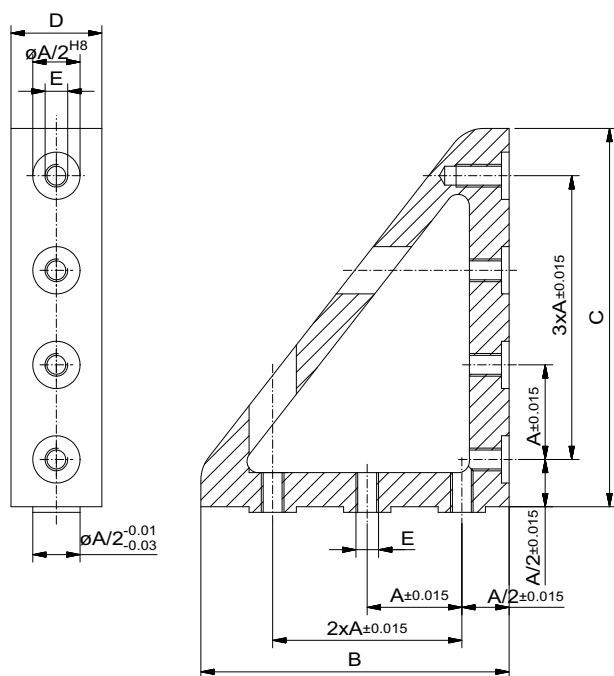
Nr.	L	g
81446-E	200	700
81447-E	400	1.226
81448-E	600	1.400
81407-E	800	2.258
81408-E	1000	2.240
81409-E	1200	3.161
81410-E	1400	3.665
81411-E	1600	4.110

AF50 ECO

Struts, 50x50

Grid 50, grid hole dia 25mm

Nr.	L	g
82403-E	250	1.424
82404-E	500	2.534
82405-E	750	3.637
82406-E	1000	5.696
82407-E	1250	7.120
82408-E	1500	8.544
82409-E	1750	9.968
82410-E	2000	11.392



Profile angle brackets

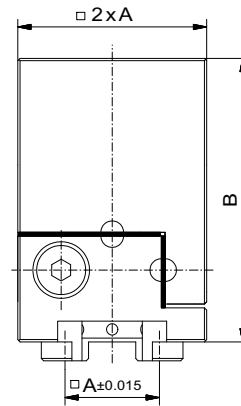
Nr.	A(AF)	E	D x B x C	g
120511-E	25	6	24x81,5x100	194
120514-E	25	6	24x121,5x150	319
120512-E	40	10	39x81,5x100	315
120515-E	40	10	39x121,5x151	518
120513-E	50	12	49x81,5x100	396
120516-E	50	12	49x122,5x150	651



i Profile angle brackets are also available in special lengths of up to 3000mm. Special connection elements are required to assemble angle brackets, they are shown on page 155

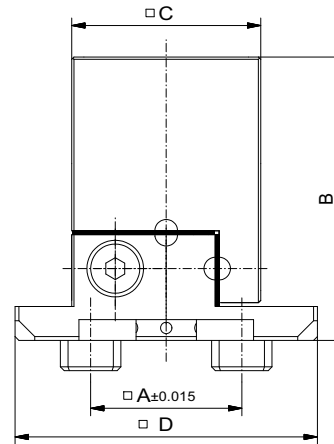
3D Shim blocks with contour block

Nr. left	Nr. right	A(AF)	B	shift	
91834-E	280766-E	25	75	x,y,z: +/-0,7mm	473
92808-E	280770-E	25	100	x,y,z: +/-0,7mm	590
91835-E	280767-E	40	120	x,y,z: +/-1,1mm	2.074
91836-E	280768-E	50	150	x,y,z: +/-1,1mm	4.275



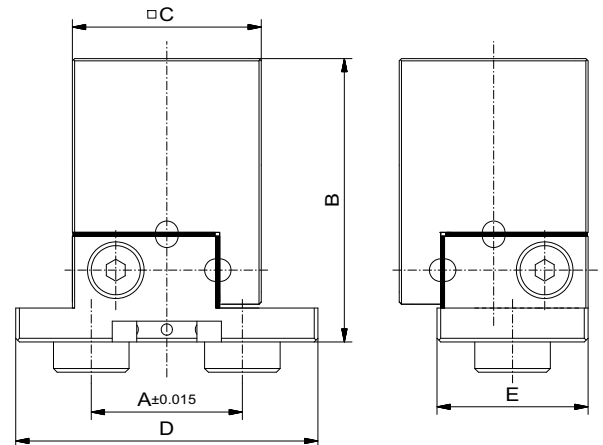
3D Shim block reducers with contour block

Nr. left	Nr. right	A(AF)	B	C	D	shift	
91839-E	280765-E	40/25	75	50	80	x,y,z: +/-0,7mm	839
91840-E	280770-E	50/25	75	50	100	x,y,z: +/-0,7mm	645



3D Shim blocks with contour block excentric

Nr. left	Nr. right	A(AF)	B	C	D	E	shift	
281460-E	281461-E	40/25	75	50	80	40	x,y,z: +/-0,7mm	450



ALUFIX ECO elements can be anodized in different colours. The colour natural (-E) is standard, blue (-E2) is available as an alternative. Black (-E1) and other colours on request



Peelable shim foil

for gaps between bars, in various thicknesses. Comprises of 0,05mm thick laminated alu-foils. The easy process of peeling with a knife can be carried out on the spot when spacers are required.

The advantages:

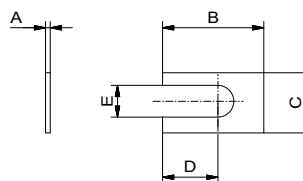
- Tolerances are evened out making remachining jobs such as milling, grinding etc. unnecessary
- Reduces setting up times
- Reduces amount of machining required

Shimfoil type 1 or 2

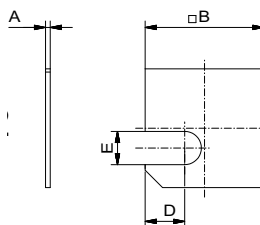
peelable, in 0,05mm layers, for setting of adjustment blocks

Nr.	System	Typ	A	B	C	D	E	$\frac{g}{g}$
33013	AF 25	2	1,0	37,5	-	12,5	10	1,5
33014	AF 25	1	1,0	32	19	20,5	10	2,5
33261	AF 40	2	1,6	60,5	-	20,5	20	6
33260	AF 40	1	1,6	50	30	30	14	9
33632	AF 50	2	2,0	75	-	25	25	12
33633	AF 50	1	2,0	60	38	35	18	19

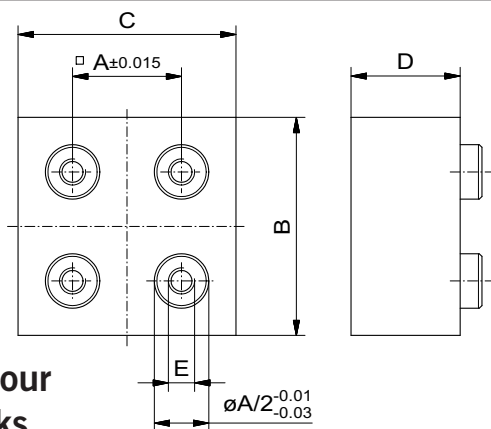
Typ 1: x,y



Typ 2: z



See also pages 82-83



Contour blocks

AF25 ECO

Nr.	A(AF)	B	C	D	E	$\frac{g}{g}$
23366-E	25	25	25	25	M6	45
23367-E	25	25	50	25	M6	89
23368-E	25	50	50	25	M6	179
23617-E	25	50	75	25	M6	268
25312-E	25	25	50	50	M6	179
23369-E	25	50	50	50	M6	358
25314-E	25	50	75	50	M6	536
23618-E	25	100	100	50	M6	1.430

AF40 ECO

Nr.	A(AF)	B	C	D	E	$\frac{g}{g}$
23630-E	40	40	40	40	M10	183
23631-E	40	40	80	40	M10	366
23632-E	40	80	80	40	M10	732
23633-E	40	80	120	40	M10	1.098
25313-E	40	40	80	80	M10	732
23634-E	40	80	80	80	M10	1.464
25315-E	40	80	120	80	M10	2.196
23635-E	40	160	160	80	M10	5.857

AF50 ECO

Nr.	A(AF)	B	C	D	E	$\frac{g}{g}$
28049-E	50	50	50	50	M12	358
28050-E	50	50	100	50	M12	715
28051-E	50	100	100	50	M12	1.430
28052-E	50	100	150	50	M12	2.145
27537-E	50	50	100	100	M12	1.430
28053-E	50	100	100	100	M12	2.860
27367-E	50	100	150	100	M12	4.290
28054-E	50	200	200	100	M12	11.440



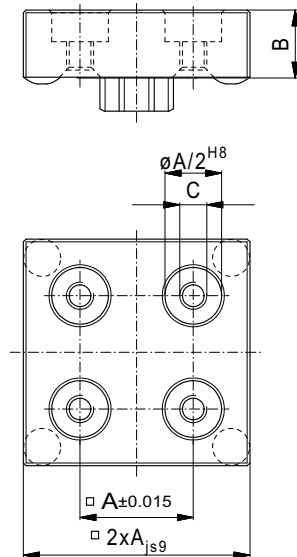
Quick change couplings (QCC)

only available as exchangeable top and bottom versions, for folding version see page 44



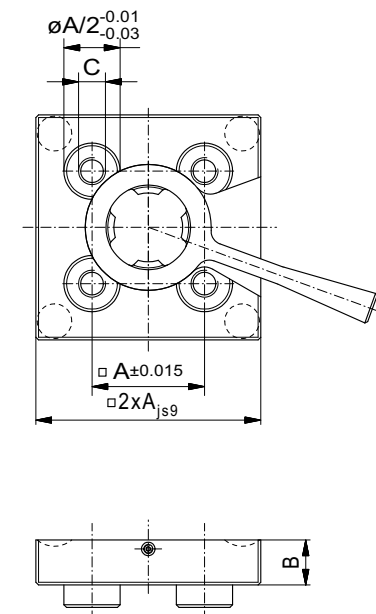
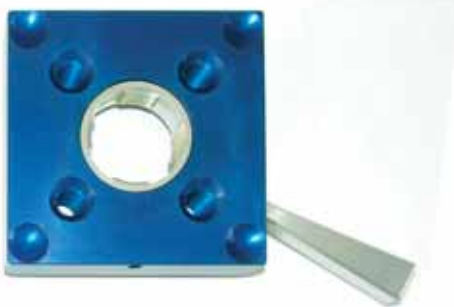
Quick change coupling top, complete

Nr.	A(AF)	B	C	
294321-E	25	15	M6	95
294322-E	40	24	M10	400
294323-E	50	30	M12	750



Quick change coupling base, complete

Nr.	A(AF)	B	C	
294324-E	25	15	M6	60
294325-E	40	24	M10	260
294326-E	50	30	M12	480



ALUFIX ECO elements can be anodized in different colours. The colour natural (-E) is standard, blue (-E2) is available as an alternative. Black (-E1) and other colours on request