

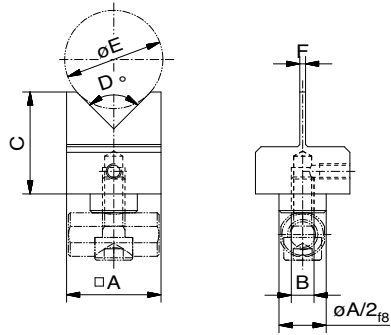
ALUFIX CLASSIC V Pieces and Delta Blocks



V piece 90°

single

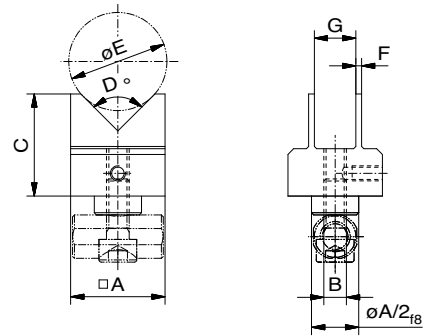
Nr.	A(AF)	B	C	D	E	F	
80923	16	M4	17,5	90°	max.∅ 17	1	9
82230	25	M6	27	90°	max.∅ 26	1,5	32



V piece 90°

double, V narrow

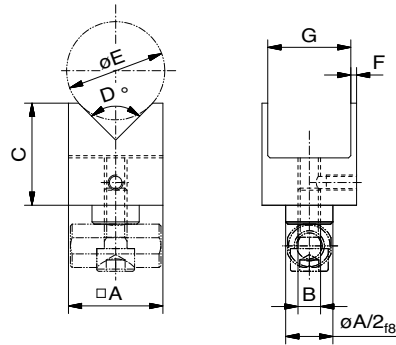
Nr.	A(AF)	B	C	D	E	F	G	
80921	16	M4	17,5	90°	max.∅ 17	1	7	10
82232	25	M6	27	90°	max.∅ 26	1,5	11	35



V piece 90°

double, V wide

Nr.	A(AF)	B	C	D	E	F	G	
80922	16	M4	17,5	90°	max.∅ 17	1	14	10
82231	25	M6	27	90°	max.∅ 26	1,5	22	35



Application using optional stop, see page 100



ALUFIX CLASSIC Alufix Classic elements can be anodized in different colours. The colour natural is standard, black (-1) is available as an alternative. Other colours on request.



V block 90°

standard version

Nr.	A(AF)	max. ϕ	\bar{g}
21991	16	45	51
21992	25	70	185
21272	40	113	189
28173	50	142	1.362



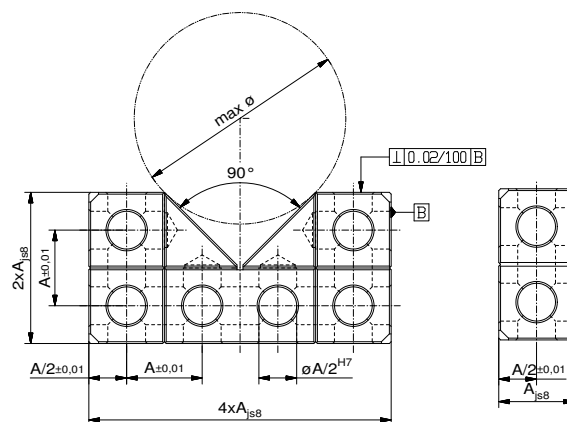
with hard metal surface

Nr.	A(AF)	max. ϕ	\bar{g}
80975	25	70	251
81511	40	113	1.115
82785	50	142	1.326



with magnetic surface

Nr.	A(AF)	max. ϕ	\bar{g}
81508	25	70	203
81513	40	113	1.115
82784	50	142	1.326



Surface of V blocks also available with polymer insert (POM, black) on request

V block 120°

standard version

Nr.	A(AF)	max. ϕ	
21988	16	110	78
21987	25	170	299
21277	40	275	1.218
28175	50	345	2.395



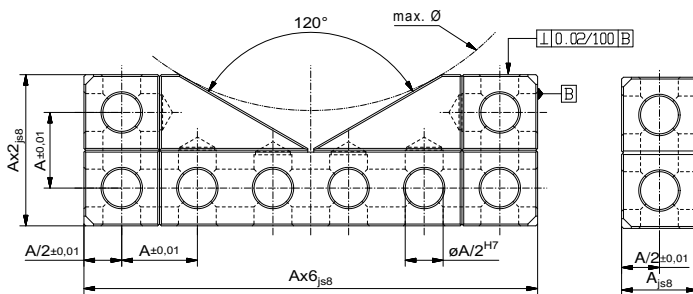
with hard metal surface

Nr.	A(AF)	max. ϕ	
80976	25	170	382
81512	40	275	1.577
82786	50	345	2.350



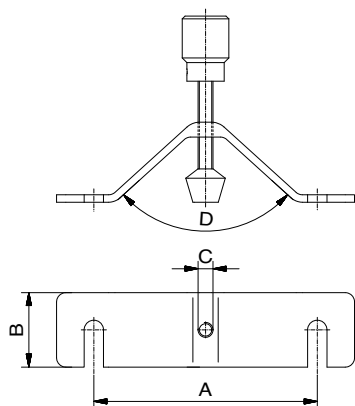
with magnetic surface

Nr.	A(AF)	max. ϕ	
81509	25	170	316
81514	40	275	1.577
82787	50	345	2350



ALUFIX CLASSIC Alufix Classic elements can be anodized in different colours. The colour natural is standard, black (-1) is available as an alternative. Other colours on request.

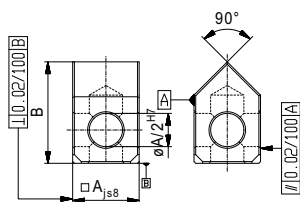
Surface of V blocks also available with polymer insert (POM, black) on request



Clamp bracket

for V-block

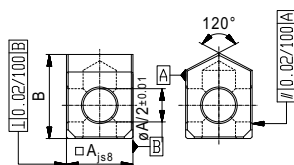
Nr.	System	A	B	C	D	g
285344	AF 25	75	25	M6	90°	80
285345	AF 25	100	25	M6	120°	100
285346	AF 40	120	40	M8	90°	210
285347	AF 40	160	40	M8	120°	270



Delta block 90°

Form 1

Nr.	A(AF)	B	g
22234	16	24	10
22235	25	37,5	35
22236	40	60	145
28043	50	75	173



Delta block 120°

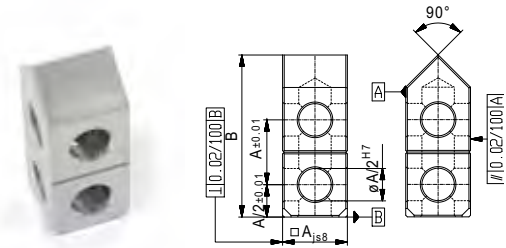
Form 1

Nr.	A(AF)	B	g
22240	16	20	8
22241	25	31,25	31
22242	40	50	126
28046	50	62,5	173

Delta block 90°

Form 2

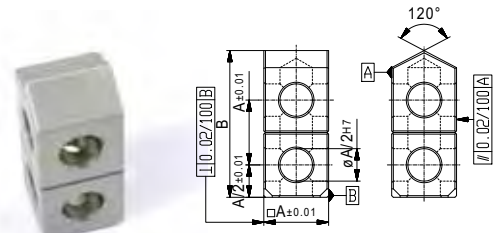
Nr.	A(AF)	B	
22176	16	40	16
22177	25	62,5	61
22178	40	100	253
28044	50	125	750



Delta block 120°

Form 2

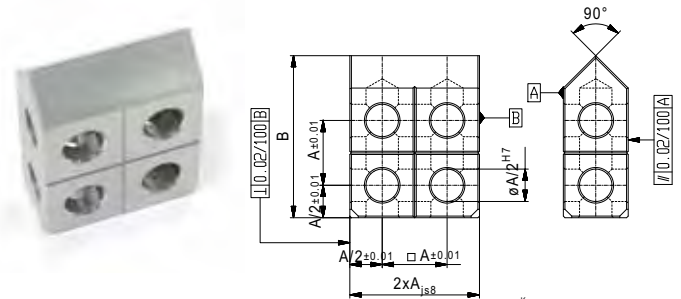
Nr.	A(AF)	B	
22252	16	36	15
22253	25	56,25	57
22254	40	90	234
28047	50	112,5	453



Delta block 90°

Form 3

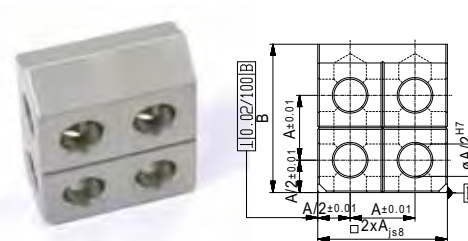
Nr.	A(AF)	B	
22173	16	40	18
22174	25	62,5	123
22175	40	100	506
28045	50	125	981



Delta block 120°

Form 3

Nr.	A(AF)	B	
22255	16	36	30
22256	25	56,25	114
22257	40	90	468
28048	50	112,5	1.173



ALUFIX CLASSIC Alufix Classic elements can be anodized in different colours. The colour natural is standard, black (-1) is available as an alternative. Other colours on request.

i Delta blocks available in polymer (POM, black) on request