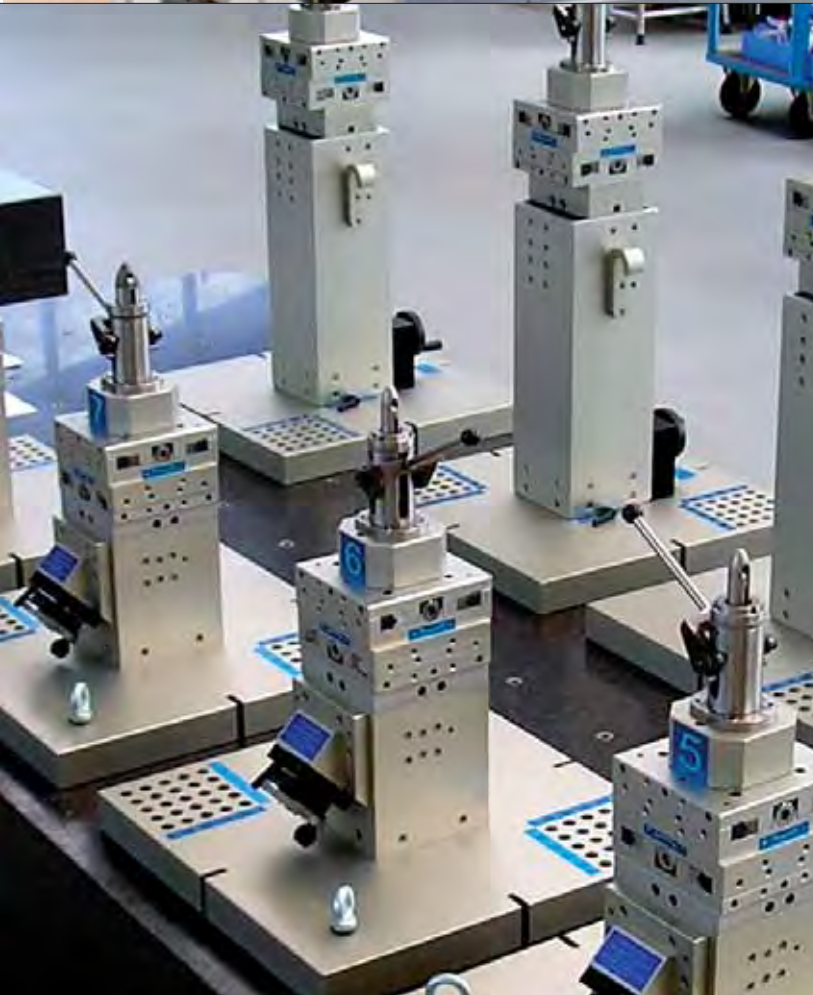
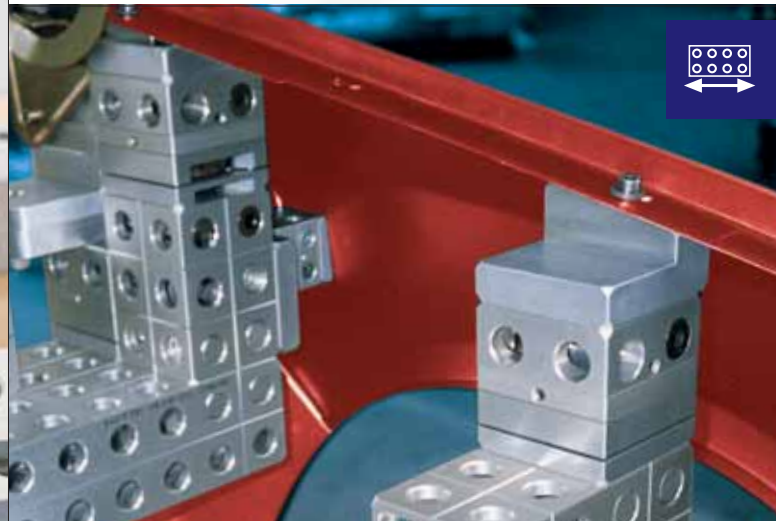
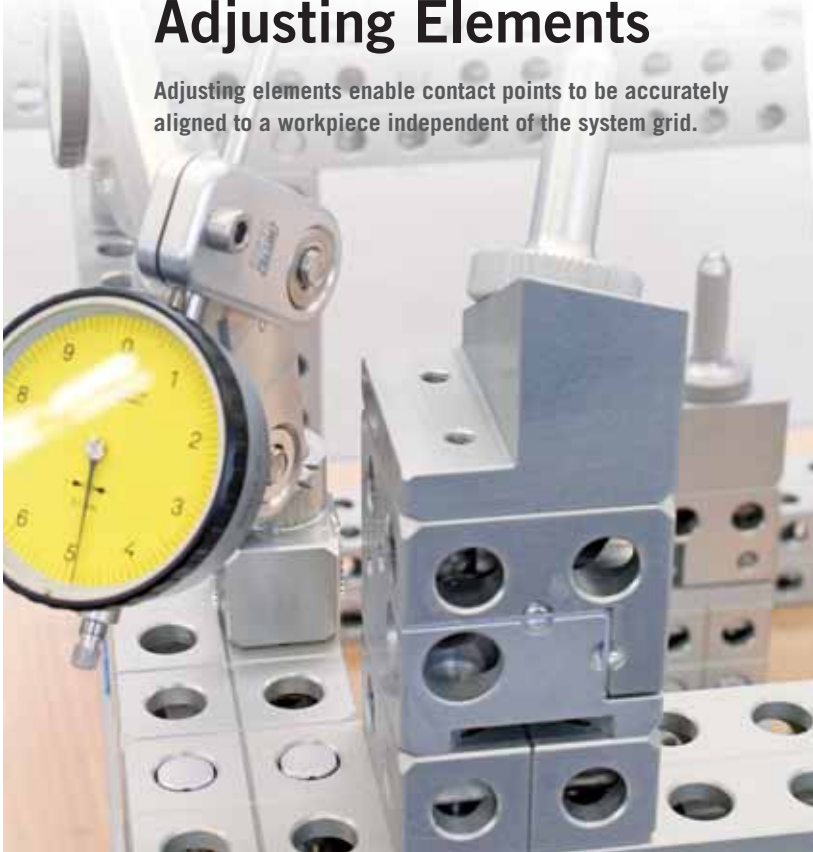
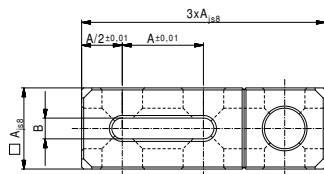




ALUFIX CLASSIC Adjusting Elements

Adjusting elements enable contact points to be accurately aligned to a workpiece independent of the system grid.

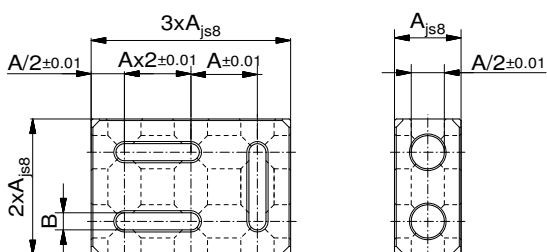




Bar 1D

for positioning in 1 axis independent of grid

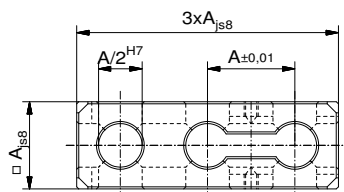
| Nr. | A (AF) | B | g |
|-------|--------|------|-----|
| 20114 | 16 | 4,1 | 20 |
| 23233 | 25 | 6,8 | 80 |
| 23279 | 40 | 10,8 | 320 |
| 28040 | 50 | 13,7 | 625 |



Base plate 2D

for positioning in 2 axes independent of grid

| Nr. | A (AF) | B | g |
|-------|--------|------|-------|
| 20397 | 16 | 4,1 | 40 |
| 23232 | 25 | 6,8 | 160 |
| 23280 | 40 | 10,8 | 1.090 |
| 28342 | 50 | 13,7 | 1.266 |



Bar with 1 offset unit

fine adjustment with a screw connection in 1 axis

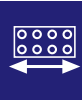
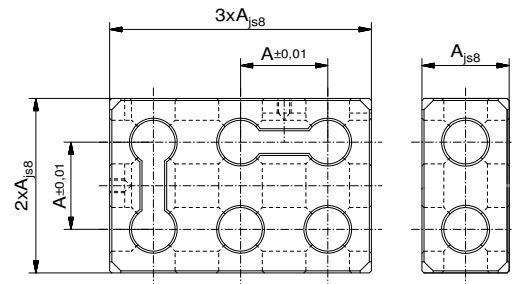
| Nr. | A (AF) | g |
|-------|--------|-----|
| 81021 | 25 | 81 |
| 81022 | 40 | 347 |
| 82764 | 50 | 800 |



Base plate with 2 offset units

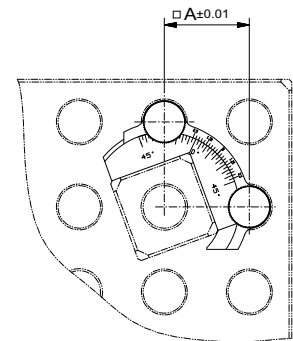
fine adjustment with a screw connection in 2 axes

| Nr. | A (AF) | |
|-------|--------|-------|
| 81023 | 25 | 162 |
| 81024 | 40 | 707 |
| 82765 | 50 | 1.400 |



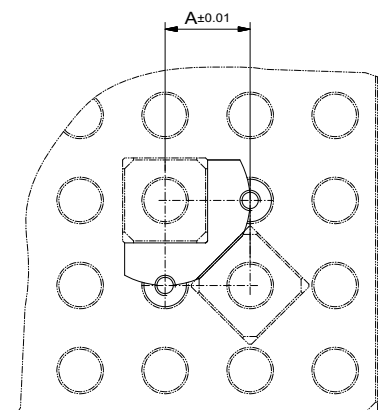
Heel block 45° - 90°

| Nr. | A (AF) | |
|-------|--------|----|
| 81607 | 16 | 4 |
| 81390 | 25 | 13 |
| 81577 | 40 | 53 |
| 82768 | 50 | 69 |



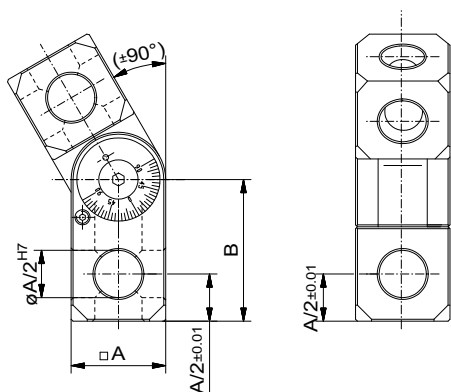
Heel block 45°/ 90°

| Nr. | A (AF) | |
|-------|--------|----|
| 23667 | 16 | 3 |
| 21426 | 25 | 10 |
| 21190 | 40 | 42 |
| 28042 | 50 | 54 |



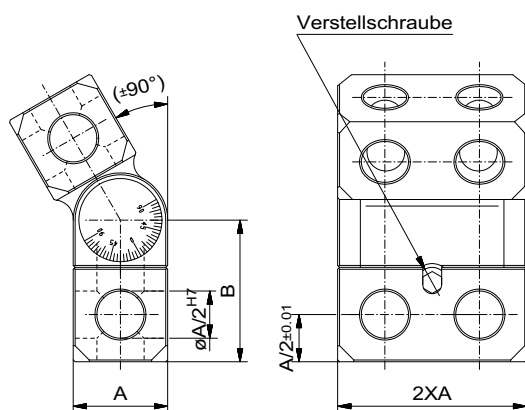
ALUFIX CLASSIC elements can be anodized in different colours. The colour natural is standard, black (-1) is available as an alternative. Other colours on request.

Connection elements for the bars and base plates are shown on pages 148, 149. Other versions on request



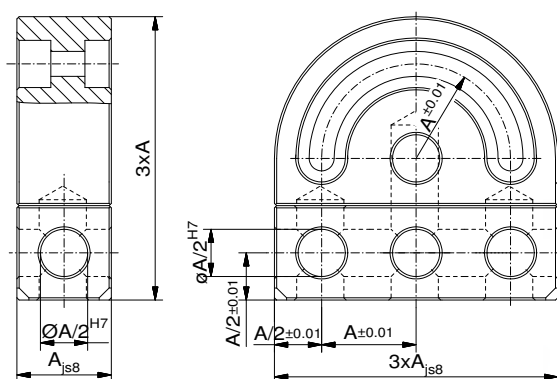
Knuckle

| Nr. | A (AF) | B | g |
|-------|--------|------|-----|
| 81668 | 16 | 45 | 28 |
| 81326 | 25 | 37,5 | 108 |
| 81462 | 40 | 75 | 446 |
| 82767 | 50 | 75 | 860 |



Double knuckle

| Nr. | A (AF) | B | g |
|-------|--------|------|-------|
| 81811 | 16 | 45 | 65 |
| 81028 | 25 | 37,5 | 242 |
| 81812 | 40 | 75 | 1.004 |
| 82621 | 50 | 75 | 2.442 |



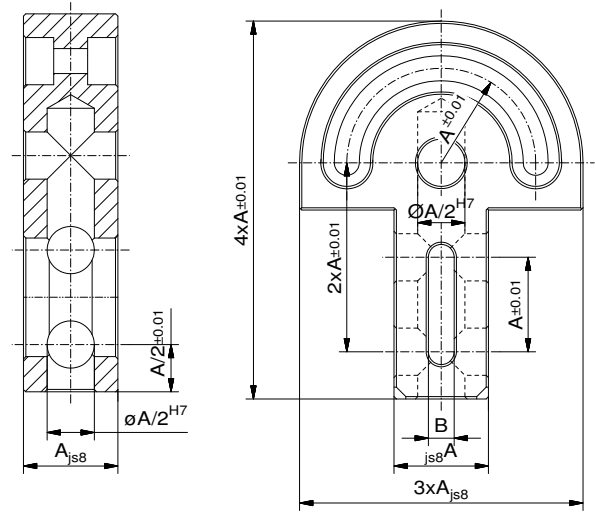
Swivel

| Nr. | A (AF) | g |
|-------|--------|-------|
| 24578 | 16 | 56 |
| 24318 | 25 | 216 |
| 24579 | 40 | 891 |
| 28041 | 50 | 1.700 |



Swivel-T

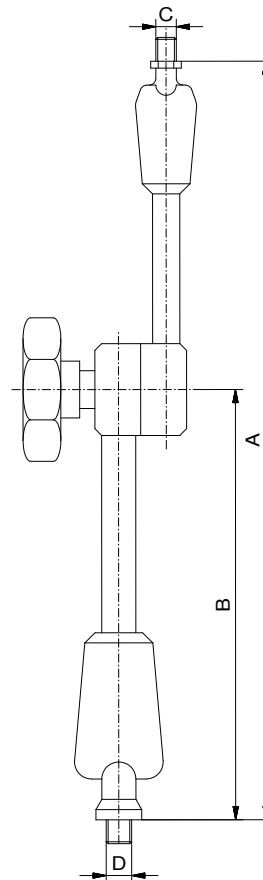
| Nr. | A (AF) | B | |
|-------|--------|-----|-----|
| 30667 | 25 | 6,8 | 195 |



Swivel arm AF 25

with joint

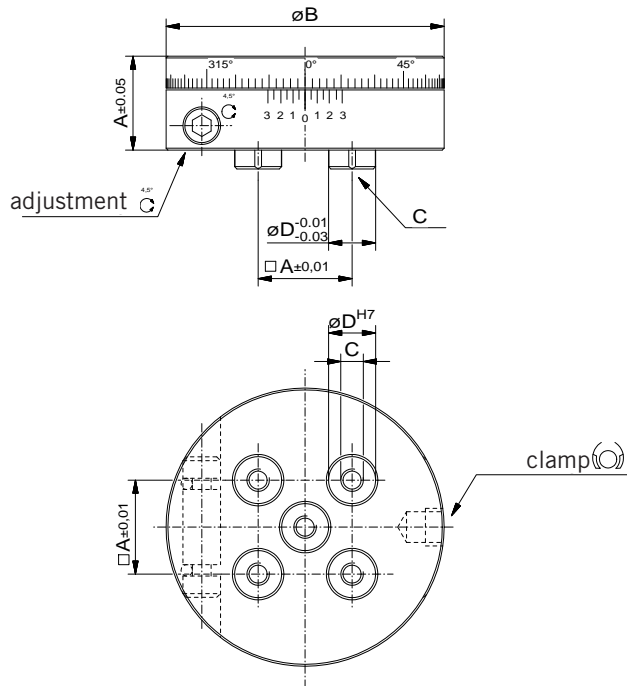
| Nr. | A | B | C | D | max. load | |
|-------|-----|-----|----|----|-----------|-----|
| 85411 | 130 | 70 | M6 | M6 | 30 N | 135 |
| 82121 | 205 | 115 | M6 | M8 | 40 N | 282 |
| 82122 | 285 | 175 | M6 | M8 | 70 N | 687 |



Special connection elements for swivel arms on page 154



ALUFIX CLASSIC elements can be anodized in different colours. The colour natural is standard, black (-1) is available as an alternative. Other colours on request.



Rotary plate AF 25

with infinitely variable clamp

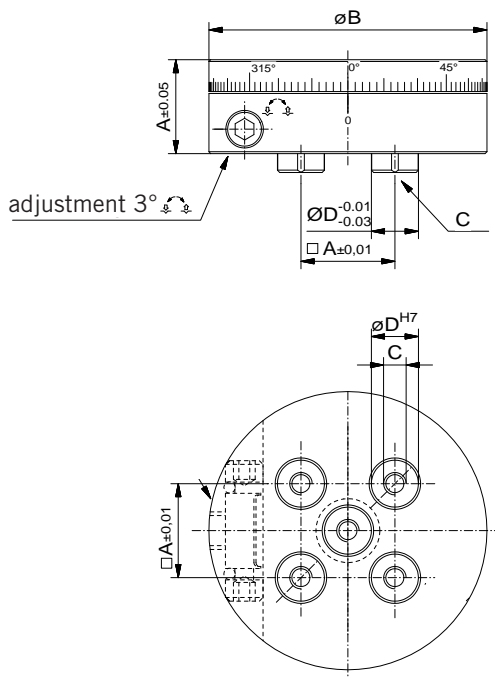
| Nr. | A | B | C | D | |
|-------|----|----|----|------|-----|
| 96741 | 25 | 74 | M6 | 12,5 | 340 |



Rotary plate AF 25

with 3° settings and lock pin

| Nr. | A | B | C | D | |
|-------|----|----|----|------|-----|
| 96742 | 25 | 74 | M6 | 12,5 | 340 |



Adapter plate

for keyless chuck D50

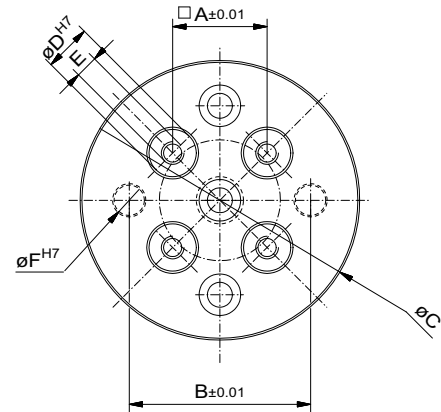
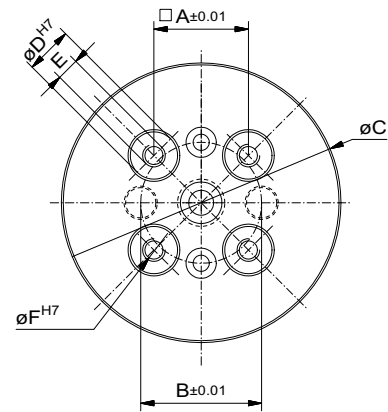
| Nr. | A | B | C | D | E | F | |
|-------|----|----|----|------|----|---|-----|
| 56162 | 25 | 32 | 74 | 12,5 | M6 | 8 | 123 |



for keyless chuck D80

| Nr. | A | B | C | D | E | F | |
|-------|----|----|----|------|----|---|-----|
| 56161 | 25 | 48 | 74 | 12,5 | M6 | 8 | 123 |

Adapter plates also available including suitable connection elements
 D50 – **97893**
 D80 – **97892**



Application example:
 Keyless chuck mounted on a rotary plate and Alufix Classic bar

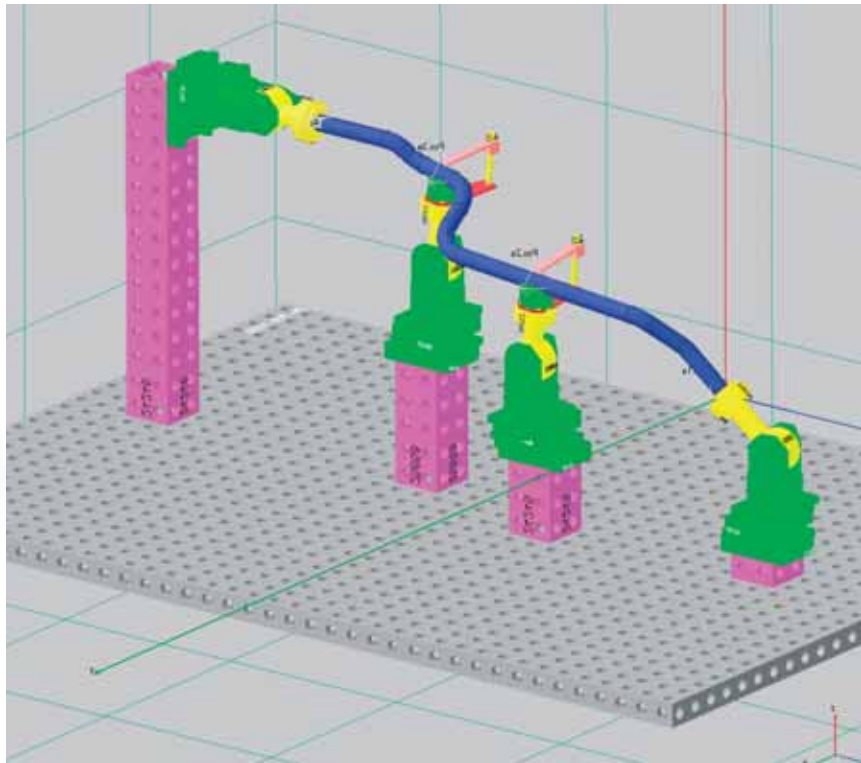


ALUFIX CLASSIC elements can be anodized in different colours. The colour natural is standard, black (-1) is available as an alternative. Other colours on request.

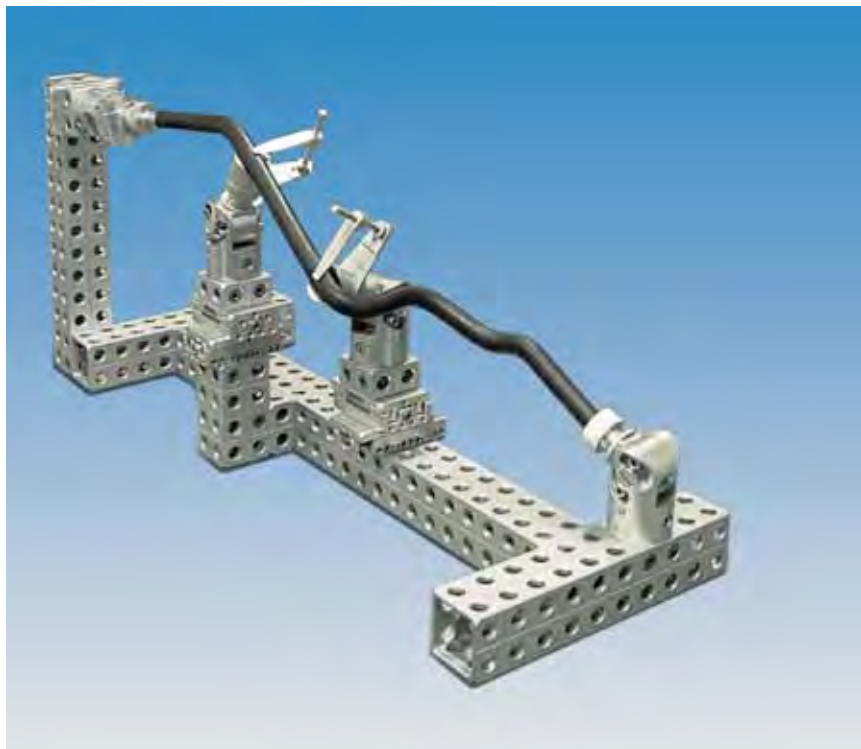


Rotary swing unit

Applications



Measuring fixture for hose.
The positions and angles required are easily calculated with the help of Alufix Expert software (page 238). Fixtures like this are implemented very quickly.



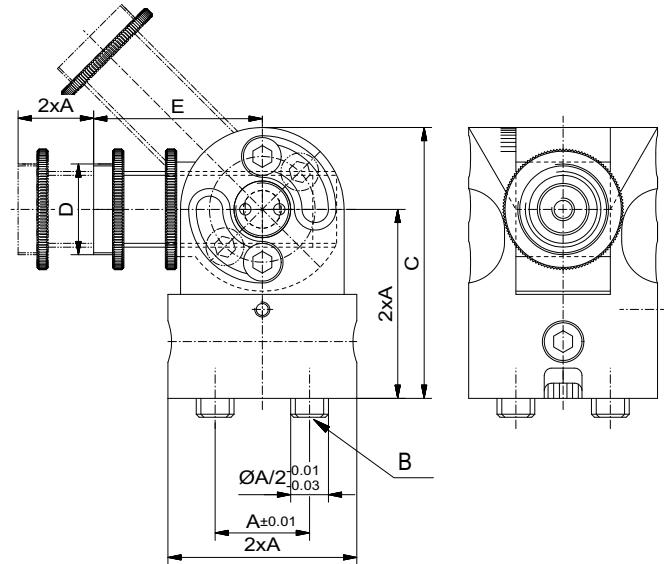
Rotary swing unit

with thread

| Nr. | A (AF) | B | C | D | E | |
|-------|--------|-----|-----|------|------|-----|
| 93063 | 25 | M6 | 72 | 24x1 | 44,6 | 342 |
| 99794 | 40 | M10 | 115 | 32x1 | 69 | 750 |



Rotary swing unit 99794 for Alufix 40 with worm gear for fine adjustment in both rotating axes



Rotary swing unit

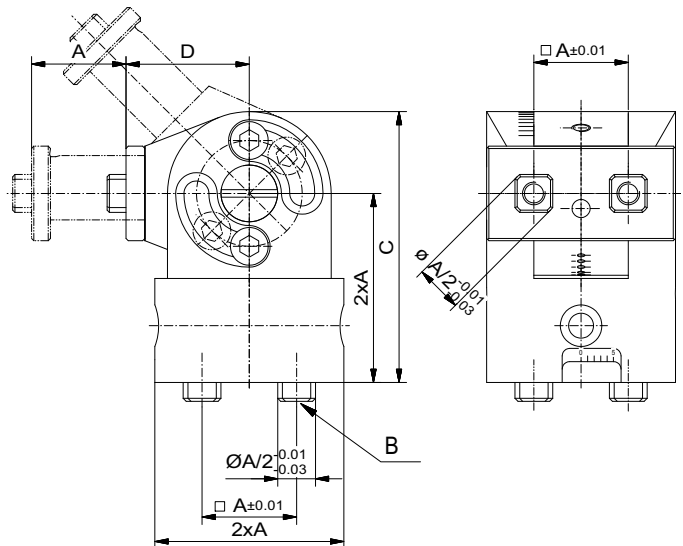
with nubs

| Nr. | A (AF) | B | C | D | |
|-------|--------|-----|-----|------|-----|
| 93660 | 25 | M6 | 72 | 32,6 | 370 |
| 99807 | 40 | M10 | 115 | 50 | 750 |



Rotary swing unit 99807 for Alufix 40 with worm gear for fine adjustment in both rotating axes

Rotary swing unit 93660 and 99794 for Alufix 40 with fine adjustment



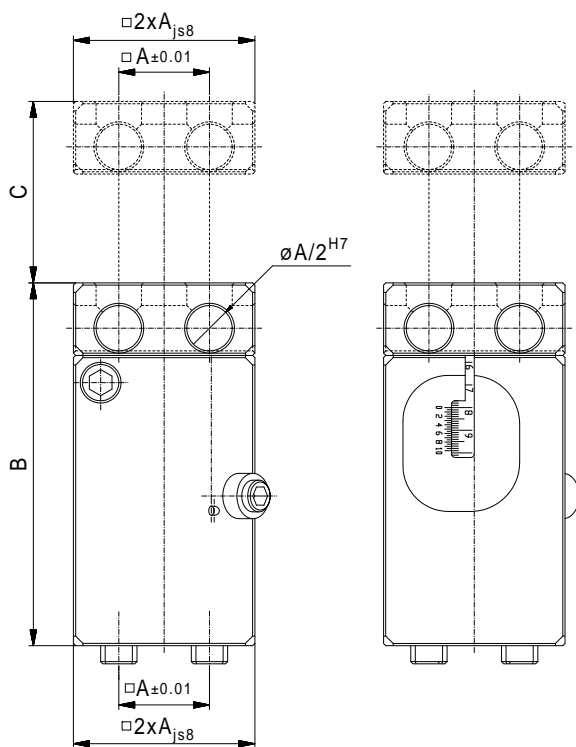
ALUFIX CLASSIC elements can be anodized in different colours. The colour natural is standard, black (-1) is available as an alternative. Other colours on request.



ALUFIX Jacks


Alufix jacks are used to position and level different sized parts for measuring.

These operator-friendly jacks are configured according to application and customer requirements.



Rack gear jack

with height adjustment using a gear jack, vernier 0,05mm

| Nr. | A (AF) | B | C | max. load |  |
|-------|--------|-----|-----|-----------|---|
| 82060 | 25 | 100 | 20 | 30 kg | 570 |
| 81871 | 25 | 150 | 75 | 30 kg | 800 |
| 82829 | 40 | 280 | 140 | 45 kg | 2.314 |
| 90539 | 50 | 300 | 150 | 60 kg | 1.715 |

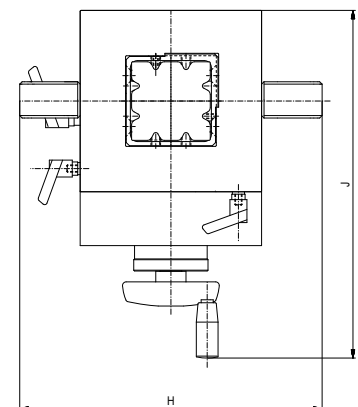
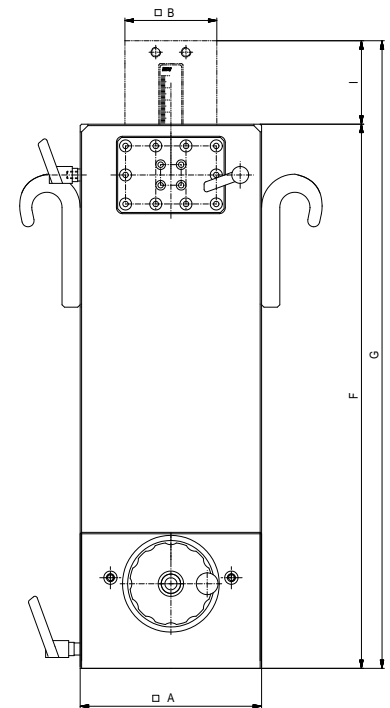
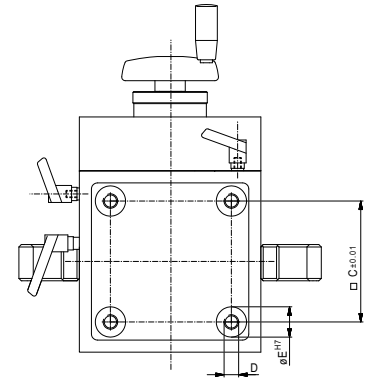


Jack 2000, Heavy Duty

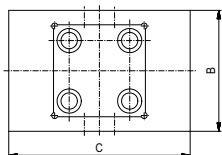
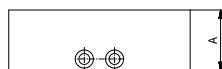
with height adjustment via crank handle, load capacity: 2000kg

| Nr. | A | B | C | D | E | F | G | H | I | J | |
|-------|-----|----|-----|-----|----|-----|-----|-----|-----|-----|--------|
| 98230 | 150 | 76 | 100 | M12 | 25 | 450 | 700 | 250 | 250 | 288 | 21.000 |

Top blocks are not included in jack supply, they must be ordered separately.



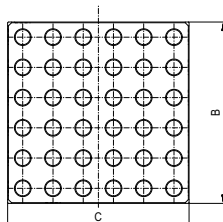
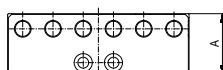
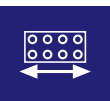
ALUFIX CLASSIC elements can be anodized in different colours. The colour natural is standard, black (-1) is available as an alternative. Other colours on request.



Top block AF50 for jack

with AF50 holes and connectors

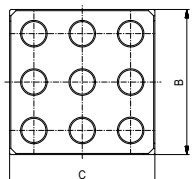
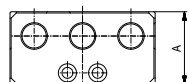
| Nr. | A | B | C |  |
|-------|----|-----|-----|---|
| 98217 | 50 | 100 | 150 | 1.924 |



Top block AF25 for jack

with AF25 grid and connectors

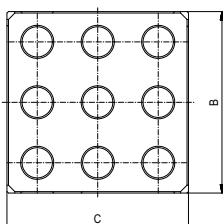
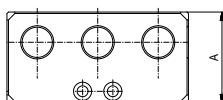
| Nr. | A | B | C |  |
|-------|----|-----|-----|---|
| 98218 | 50 | 150 | 150 | 1.823 |



Top block AF40 for jack

with AF40 grid and connectors

| Nr. | A | B | C |  |
|-------|----|-----|-----|---|
| 98219 | 60 | 120 | 120 | 2.150 |



Top block AF50 for jack

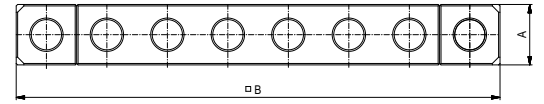
with AF50 grid and connectors

| Nr. | A | B | C |  |
|-------|----|-----|-----|---|
| 98220 | 75 | 150 | 150 | 4.100 |

Base plate for jack

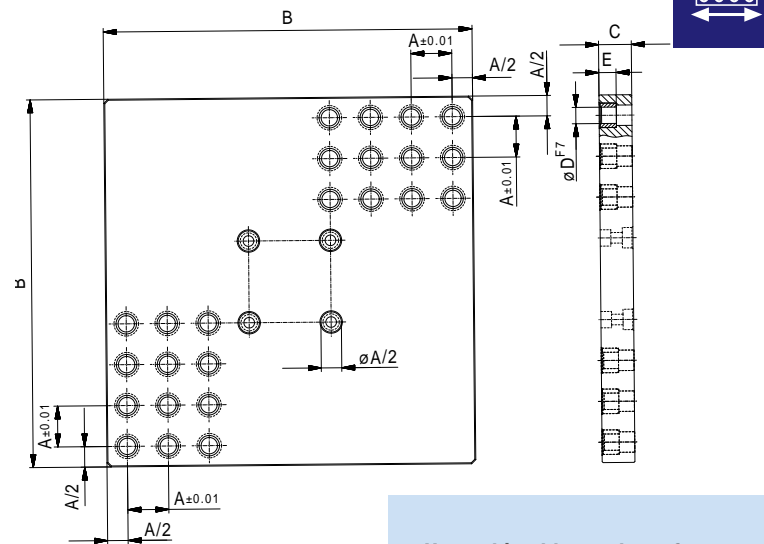
grid AF25, including connectors

| Nr. | A | B | |
|-------|----|-----|--------|
| 98221 | 50 | 400 | 13.050 |

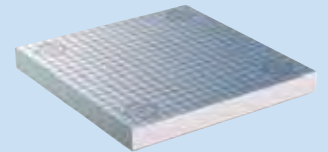


Base plate for jack

| Nr. | A | B | C | D | E | |
|----------|----|-----|----|-------|----|--------|
| 337271-A | 50 | 450 | 40 | ø20F7 | 21 | 21.500 |



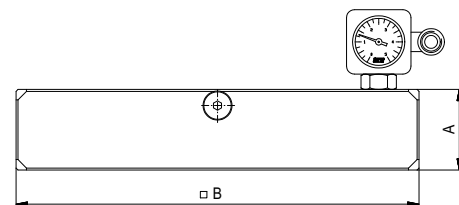
Unmachined base plates for jacks
or individually manufactured
base plates on request



Base plate for jack

with hovercraft and magnetic function, including connectors

| Nr. | A | B | |
|--------|----|-----|--------|
| 281196 | 67 | 300 | 18.000 |



ALUFIX CLASSIC elements can be anodized in different colours. The colour natural is standard, black (-1) is available as an alternative. Other colours on request.

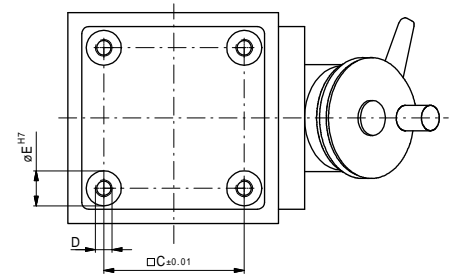
Other dimensions on request



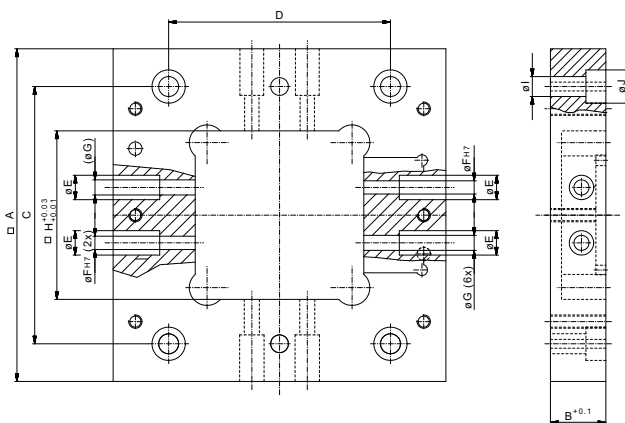
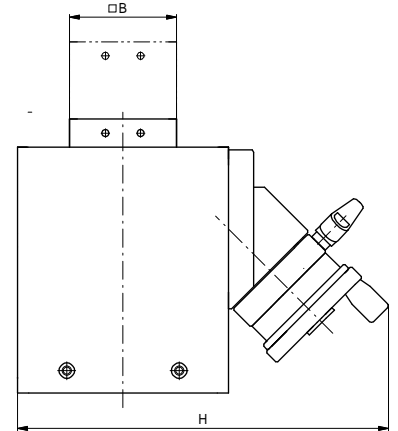
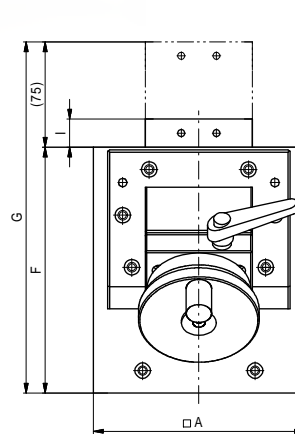
Jack 1000

with height adjustment via crank handle,
load capacity: 1000kg

| Nr. | A | B | C | D | E | F | G | H | I | |
|-------|-----|----|-----|-----|----|-----|-----|-----|----|--------|
| 92949 | 150 | 76 | 100 | M12 | 25 | 175 | 250 | 265 | 20 | 10.115 |



Top blocks are not included in jack supply, they must be ordered separately.



Top block

for jack 92949

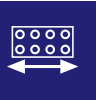
| Nr. | A | B | C | D | E | F | G | H | I | J | |
|-------|-----|----|-----|-----|----|---|-----|----|---|----|-------|
| 50219 | 150 | 25 | 116 | 100 | 11 | 6 | 6,8 | 76 | 9 | 15 | 1.200 |



Top blocks are not drilled but can be supplied with customized grid on request



ALUFIX CLASSIC elements can be anodized in different colours. The colour natural is standard, black (-1) is available as an alternative. Other colours on request.



Right picture shows
 jack 98230
 with top block 98218
 and base plate 98222

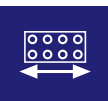
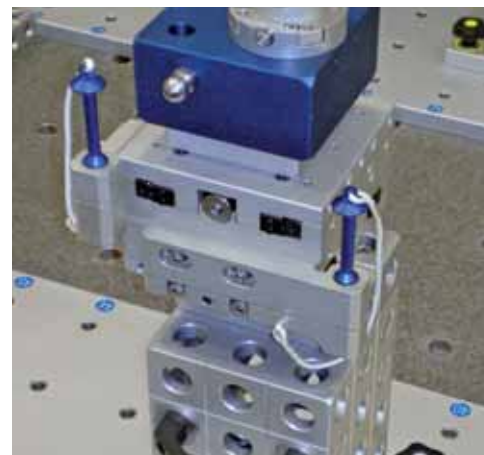
WITTE WOF
 WORLD OF
 FITTING
 Hubsäule AF 50 Hub 75
 Art. 92949
 Baujahr 04/10

Abbildung
 der Abbildung
 entspricht
 nicht
 der Realität



ALUFIX

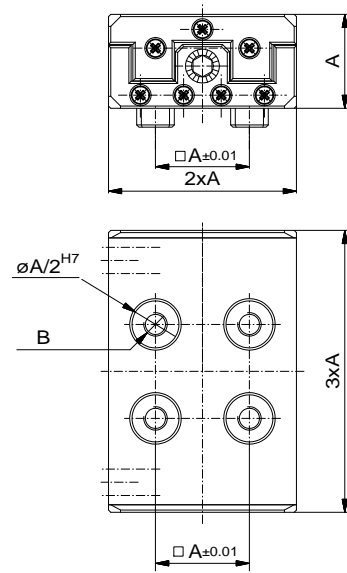
roller and
guiding slides



Roller slide

adjustment using a screw spindle

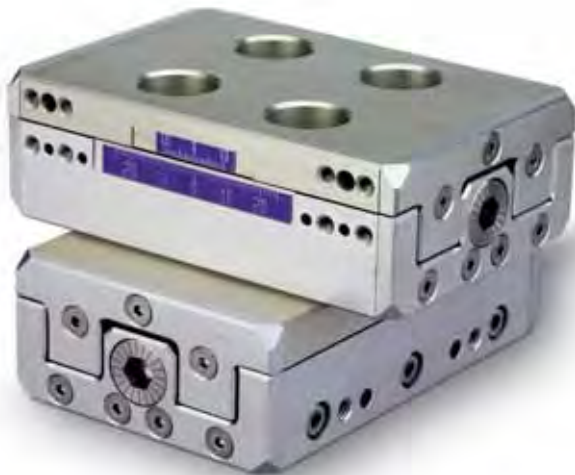
| Nr. | A (AF) | B | max. load | shift | |
|-------|--------|-----|-----------|-------|-------|
| 82453 | 16 | M4 | 20 kg | ±9 | 89 |
| 82172 | 25 | M6 | 50 kg | ±13,5 | 242 |
| 82173 | 40 | M10 | 150 kg | ±22 | 970 |
| 82398 | 50 | M12 | 250 kg | ±27 | 1.910 |



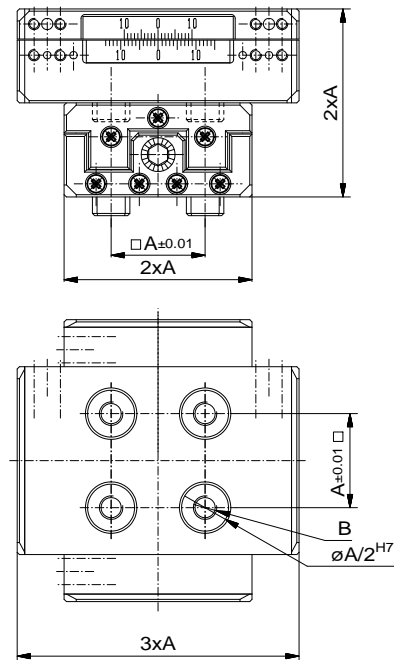
Cross roller slide

adjustment using a screw spindle

| Nr. | A (AF) | B | max. load | shift | |
|-------|--------|-----|-----------|-------|-------|
| 82461 | 16 | M4 | 20 kg | ±9 | 178 |
| 82462 | 25 | M6 | 50 kg | ±13,5 | 484 |
| 82463 | 40 | M10 | 150 kg | ±22 | 1.940 |
| 82399 | 50 | M12 | 250 kg | ±27 | 3.820 |

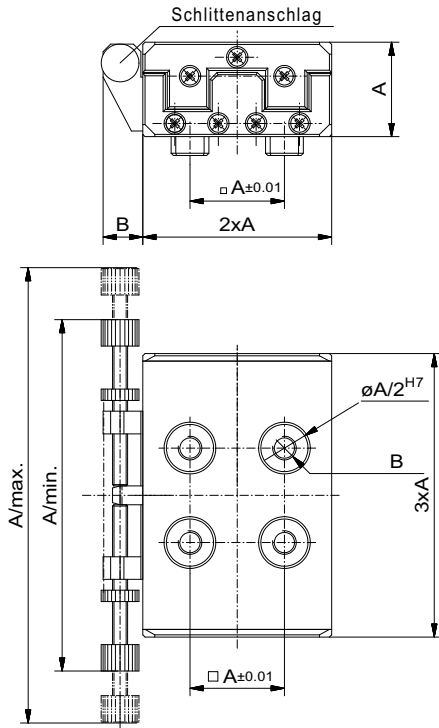


Roller slides and cross roller slides can be optionally equipped with rotating knob/s



ALUFIX CLASSIC elements can be anodized in different colours. The colour natural is standard, black (-1) is available as an alternative. Other colours on request.

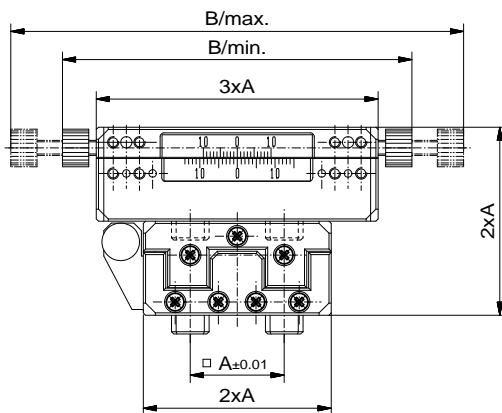
Other dimensions on request



Guiding slide with slide stop

movement assisted by free floating rollers

| Nr. | A (AF) | B | shift | A/min | A/max | max. load | |
|-------|--------|------|--------|-------|-------|-----------|-------|
| 82015 | 16 | 7 | ± 8,5 | 59 | 77 | 20 kg | 70 |
| 82002 | 25 | 10,5 | ± 13,5 | 93 | 120,5 | 50 kg | 250 |
| 82016 | 40 | 16,8 | ± 22 | 146,8 | 192 | 150 kg | 1.024 |
| 82441 | 50 | 21 | ± 27,5 | 186 | 242 | 250 kg | 6.000 |



Cross guiding slide with slide stop

movement assisted by free floating rollers

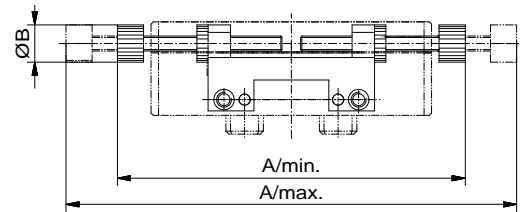
| Nr. | A (AF) | B/min | B/max | max. load | shift | |
|-------|--------|-------|-------|-----------|--------|--------|
| 82436 | 16 | 59 | 77 | 20 kg | ± 8,5 | 150 |
| 82437 | 25 | 93 | 120,5 | 50 kg | ± 13,5 | 520 |
| 82438 | 40 | 146,8 | 192 | 150 kg | ± 22 | 2.100 |
| 82439 | 50 | 186 | 242 | 250 kg | ± 27,5 | 12.500 |



Slide stop

for guiding or roller slides

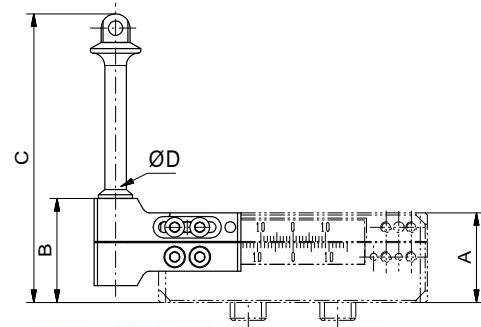
| Nr. | AF | A/min | A/max | B | |
|-------|----|-------|-------|-----|-----|
| 82411 | 25 | 59 | 77 | 6,4 | 98 |
| 82412 | 40 | 93 | 120,5 | 10 | 115 |
| 82413 | 50 | 146,8 | 192 | 16 | 131 |
| 82414 | 50 | 186 | 242 | 19 | 140 |



Positioning guide and pin

to fix guiding slides in "0" position

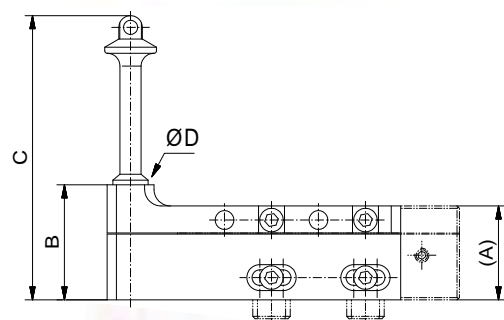
| Nr. | A (AF) | B | C | D | Type | |
|-------|--------|----|------|----|-------|-----|
| 82711 | 25 | 20 | 80,5 | 6 | left | 50 |
| 84321 | 25 | 20 | 80,5 | 6 | right | 50 |
| 82833 | 40 | 47 | 110 | 8 | left | 180 |
| 84320 | 40 | 47 | 110 | 8 | right | 180 |
| 83083 | 50 | 58 | 135 | 12 | left | 294 |
| 84322 | 50 | 58 | 135 | 12 | right | 294 |



Positioning guide and pin

to fix heavy duty (HD) guiding slides in "0" position

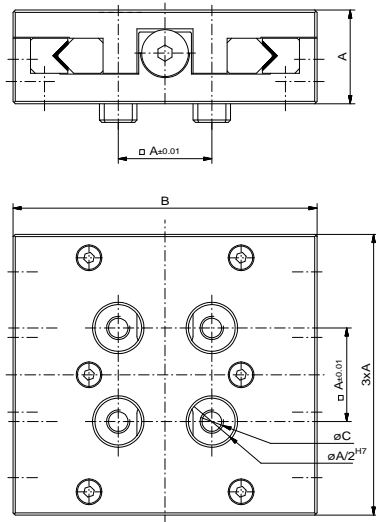
| Nr. | A (AF) | B | C | D | Type | |
|-------|--------|------|-----|----|-------|-----|
| 92642 | 25 | 30,5 | 82 | 6 | left | 240 |
| 92643 | 25 | 30,5 | 82 | 6 | right | 240 |
| 92644 | 40 | 49 | 121 | 8 | left | 372 |
| 92645 | 40 | 49 | 121 | 8 | right | 372 |
| 92646 | 50 | 61 | 138 | 12 | left | 586 |
| 92647 | 50 | 61 | 138 | 12 | right | 586 |



ALUFIX CLASSIC elements can be anodized in different colours. The colour natural is standard, black (-1) is available as an alternative. Other colours on request.

Other dimensions on request

Witte heavy duty slides are available with slide bearing or roller bearing. Slides with roller bearing can cope with a higher load capacity lauf with free floating operation



Guiding slide, heavy duty

guided with slide bearings

| Nr. | A (AF) | B | C | max. load | shift | |
|-------|--------|-----|-----|-----------|----------|-------|
| 92364 | 25 | 79 | M6 | 75 kg | +/- 12,5 | 450 |
| 92423 | 40 | 130 | M10 | 225 kg | +/- 20 | 2.000 |
| 92424 | 50 | 158 | M12 | 375 kg | +/- 25 | 3.500 |

guided with roller bearings

| Nr. | A (AF) | B | C | max. load | shift | |
|--------|--------|-----|-----|-----------|--------|-------|
| 280495 | 25 | 79 | M6 | 150 kg | +/- 13 | 450 |
| 280496 | 40 | 130 | M10 | 450 kg | +/- 21 | 2.000 |
| 280497 | 50 | 158 | M12 | 750 kg | +/- 26 | 3.500 |



Version with slide bearings



Application example:
Anodized black with positioning pin and guide mounted

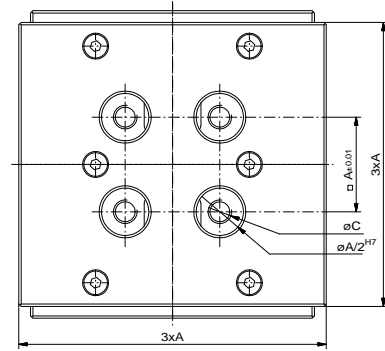
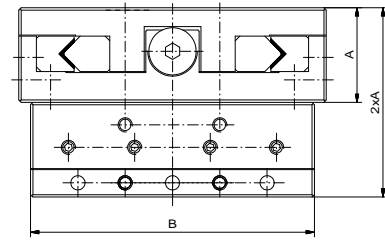
Cross guiding slide, heavy duty

guided with slide bearings

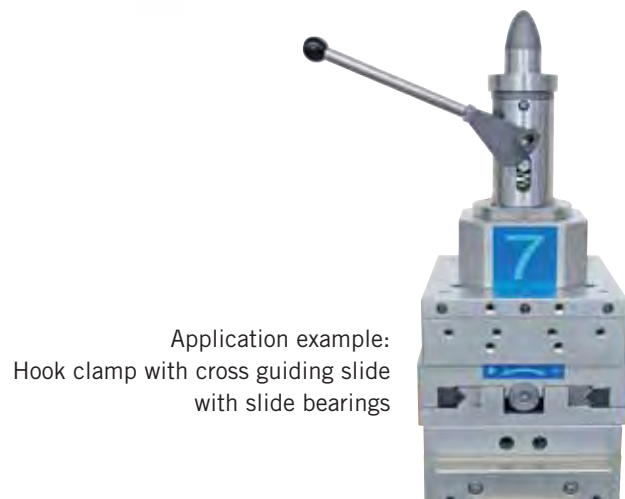
| Nr. | A (AF) | B | C | max. load | shift | |
|-------|--------|-----|-----|-----------|----------|-------|
| 92031 | 25 | 79 | M6 | 75 kg | +/- 12,5 | 900 |
| 92425 | 40 | 130 | M10 | 225 kg | +/- 20 | 4.000 |
| 92426 | 50 | 158 | M12 | 375 kg | +/- 25 | 7.000 |

guided with roller bearings

| Nr. | A (AF) | B | C | max. load | shift | |
|--------|--------|-----|-----|-----------|--------|-------|
| 280498 | 25 | 79 | M6 | 150 kg | +/- 13 | 900 |
| 280499 | 40 | 130 | M10 | 450 kg | +/- 21 | 4.000 |
| 280500 | 50 | 158 | M12 | 750 kg | +/- 26 | 7.000 |



Version with roller bearings



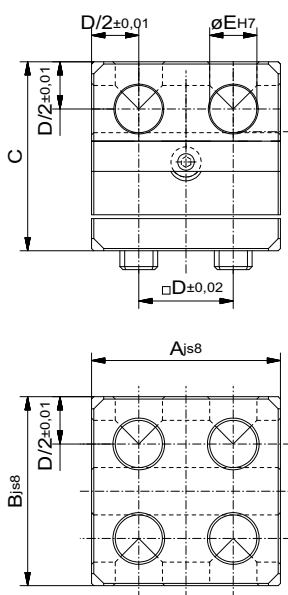
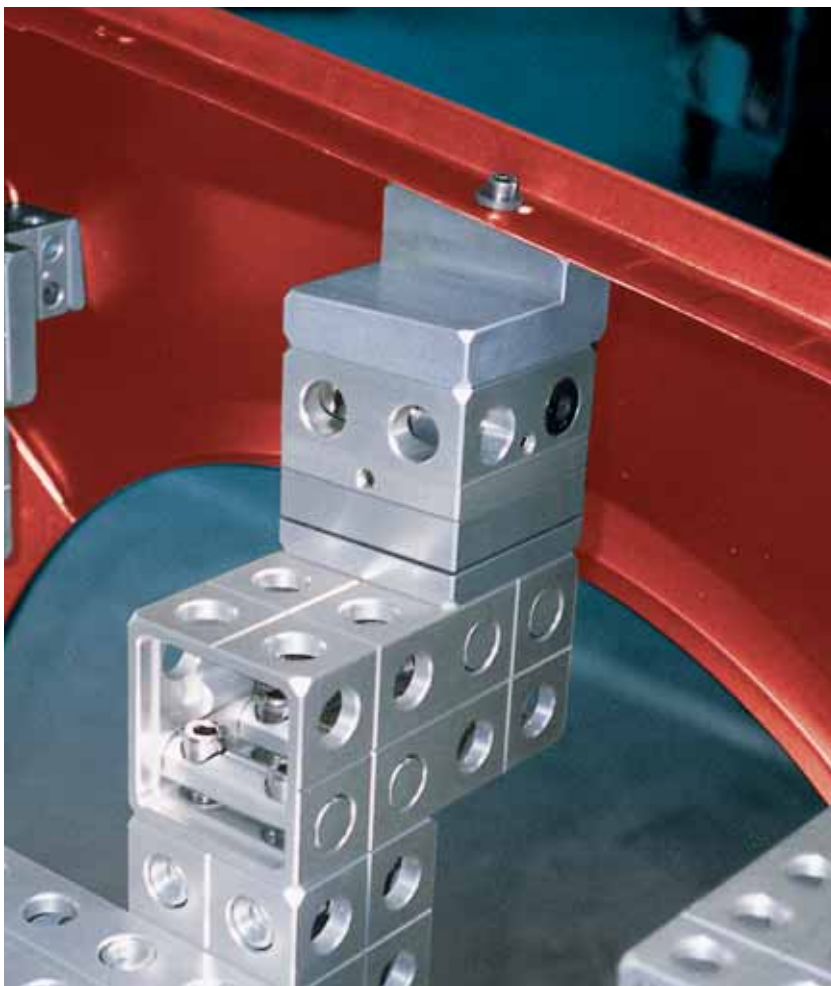
Application example:
Hook clamp with cross guiding slide
with slide bearings



ALUFIX CLASSIC elements can be anodized in different colours. The colour natural is standard, black (-1) is available as an alternative. Other colours on request.


ALUFIX

Adjustment blocks



3D Adjustment block

for fine adjustment in three axes, centric clamping

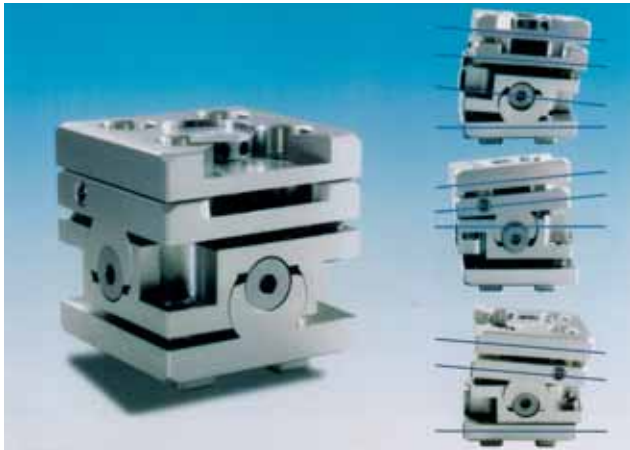
| Nr. | $\phi E/D=AF$ | A x B x C | shift |  |
|-------|---------------|-------------|--------------------------|---|
| 82244 | 12,5/25 | 50x50x50 | x,y: +/- 1,5; z: +/- 0,7 | 294 |
| 82339 | 20/40 | 80x80x80 | x,y: +/- 2,0; z: +/- 1,0 | 1.240 |
| 82766 | 25/50 | 100x100x100 | x,y: +/- 3,0; z: +/- 1,5 | 2.381 |



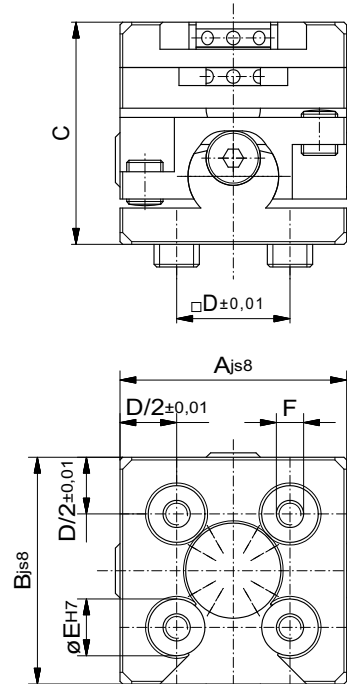
6D Adjustment block

for fine adjustment in six axes, centric clamping

| Nr. | D (AF) | AxBxC | ϕE / F | linear x/y | linear z | rotation x/y | rotation z | |
|-------|--------|-------------|-----------|------------|----------|--------------|------------|-------|
| 85340 | 25 | 50x50x50 | 12,5 / M6 | +/- 2,0 | +/- 1,5 | +/- 12° | +/- 5° | 318 |
| 85341 | 40 | 80x80x80 | 20 / M10 | +/- 2,5 | +/- 2,0 | +/- 12° | +/- 5° | 1.150 |
| 85390 | 50 | 100x100x100 | 25 / M12 | +/- 3,0 | +/- 2,5 | +/- 12° | +/- 5° | 2.482 |



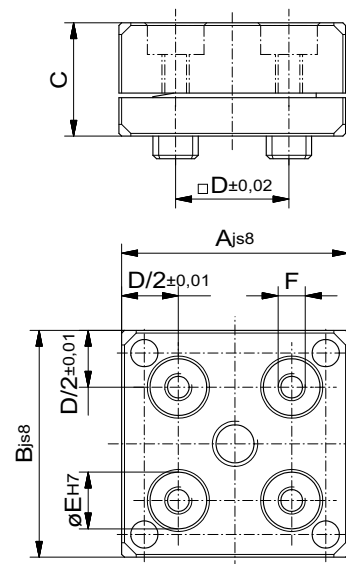
The 6D-adjustment block allows not only linear movement but also angled or rotated movement. Machining, assembly or workpiece tolerances can be easily evened out. Cylindrical guiding elements, which allow translatory and also rotary adjustment were incorporated into the design.



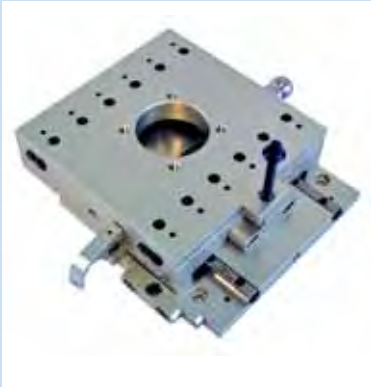
Levelling plate

for fine adjustment in one axis, screw clamping

| Nr. | D(AF) | AxBxC | ϕE / F | shift | |
|-------|-------|------------|-----------|---------|-------|
| 91670 | 25 | 50x50x25 | 12,5 / M6 | +/- 1,0 | 165 |
| 91671 | 40 | 80x80x40 | 20 / M10 | +/- 1,3 | 680 |
| 91084 | 50 | 100x100x50 | 25 / M12 | +/- 1,6 | 1.400 |



ALUFIX CLASSIC elements can be anodized in different colours. The colour natural is standard, black (-1) is available as an alternative. Other colours on request.



Guiding slide with cross roller guides

Maximum load when evenly spread over whole surface: 20kN.

Maximum load when spread unevenly or at single points: 2,8kN

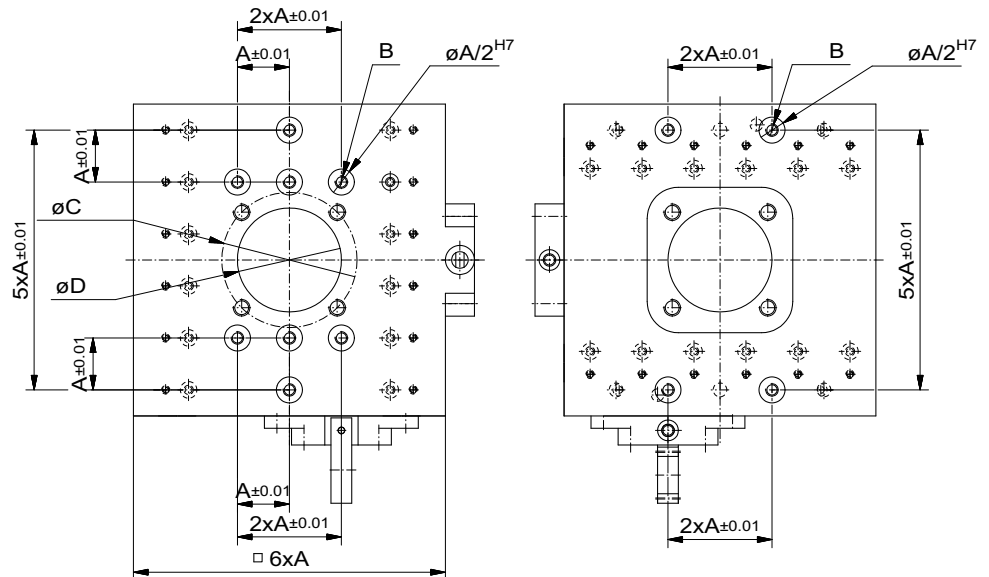
If foot for hook clamp is mounted, slide can carry 6kN.

Maximum sideways force against hook clamp tip: 4kN

Guiding slide with cross roller guides

AF25, with mounting hole for i.e. hook clamp

| Nr. | A(AF) | B | C | D | |
|-------|-------|----|----|----|-------|
| 92736 | 25 | M6 | 65 | 50 | 3.000 |



Characteristics:

Material: High tensile aluminium

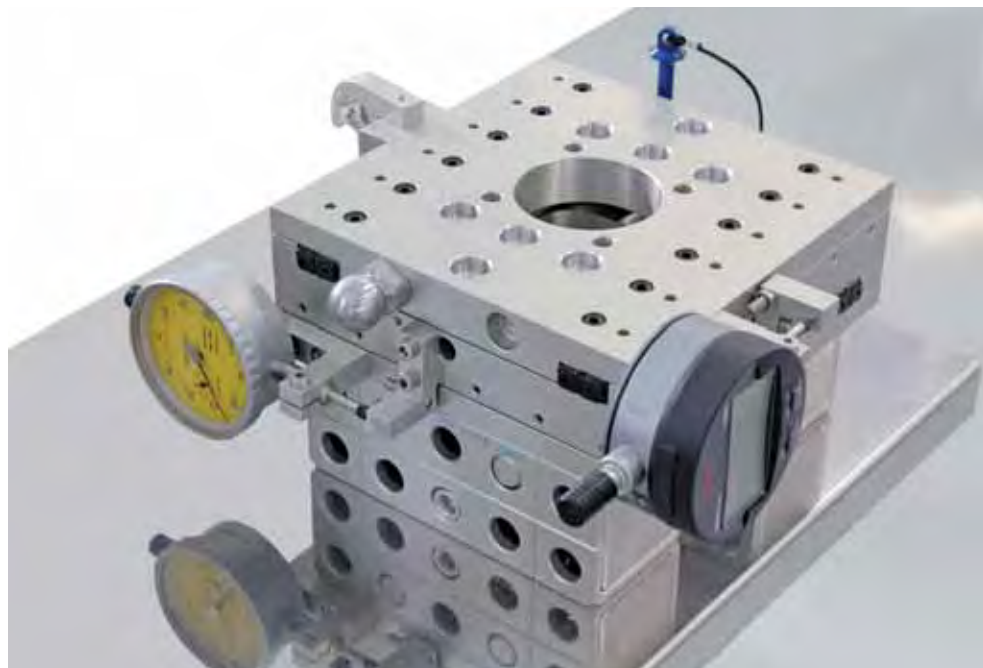
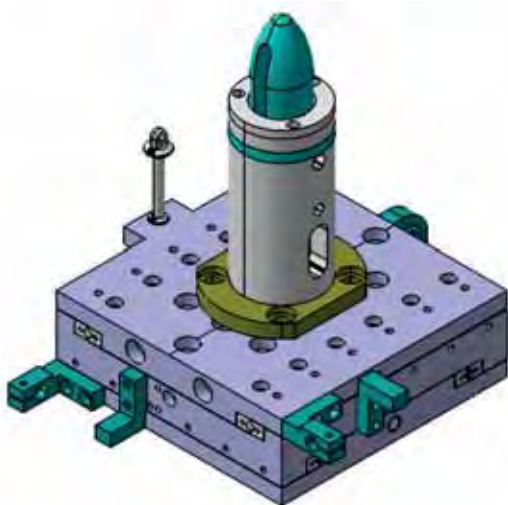
Dimensions: 150x150x50 (lxwxh)

Shift: +/- 25mm in both directions

Integrated zero pitch

Optional dial gauge holder can be mounted on top or bottom

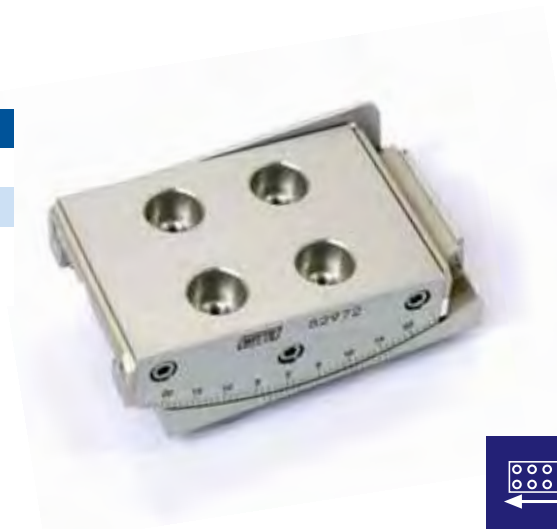
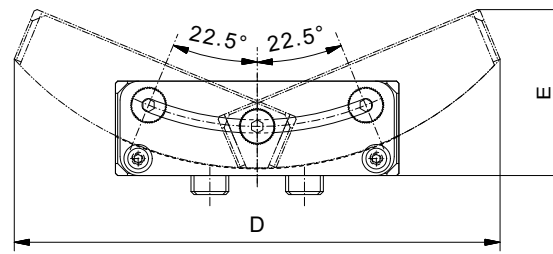
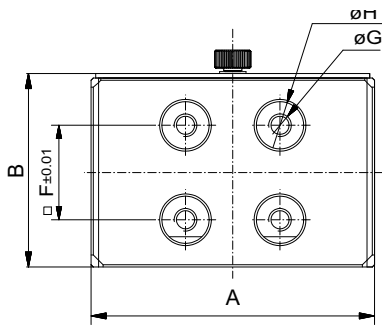
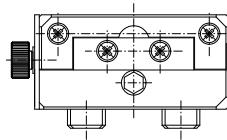
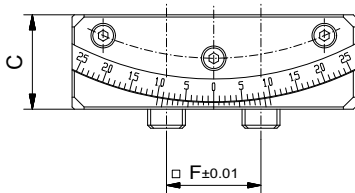
Anodized natural, black or other colour on request



Rocker AF25

for positioning, with screw clamping

| Nr. | A | B | C | D | E | F (AF) | G | H | g |
|--------|-----|----|----|-------|----|--------|----|------|-----|
| 82972 | 75 | 51 | 25 | 128,5 | 44 | 25 | M6 | 12,5 | 242 |
| 283778 | 120 | 82 | 40 | 206 | 70 | 40 | M8 | 20 | 900 |



Tilt and turntable

#84918

with Alufix 25 grid in top surface

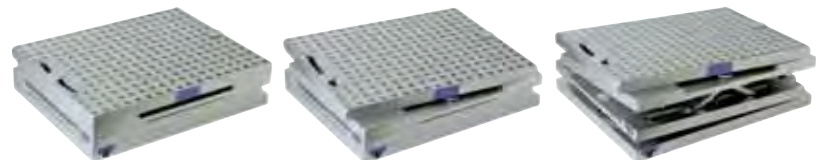
Dimensions:

L450 x W350 x H100 mm

Comprising of 4 levels, connected with a scissor mechanism, allowing a maximum tilt angle of 10° in X and Y axis.

The top level can be rotated horizontally +/- 10° in Z axis.

Adjustment of the tilt and turntable is effected with fine threaded spindles.



ALUFIX CLASSIC elements can be anodized in different colours. The colour natural is standard, black (-1) is available as an alternative. Other colours on request.

i Other dimensions on request

Simple slide

with circular guides and regulating screw



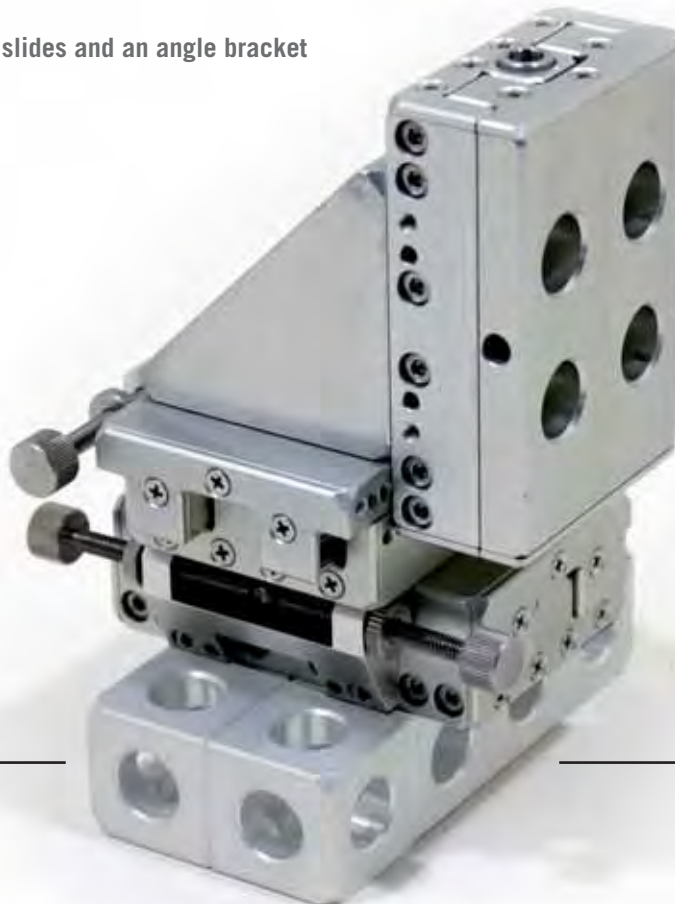
Short shift guiding slide

with lock



XYZ slide

using three roller slides and an angle bracket



Motorized slide
with step motor



Motorized jack
with step motor



Control unit
for motorized adjusting elements with
selection of direction and step size



Power Unit
for up to 4 motorized adjusting elements

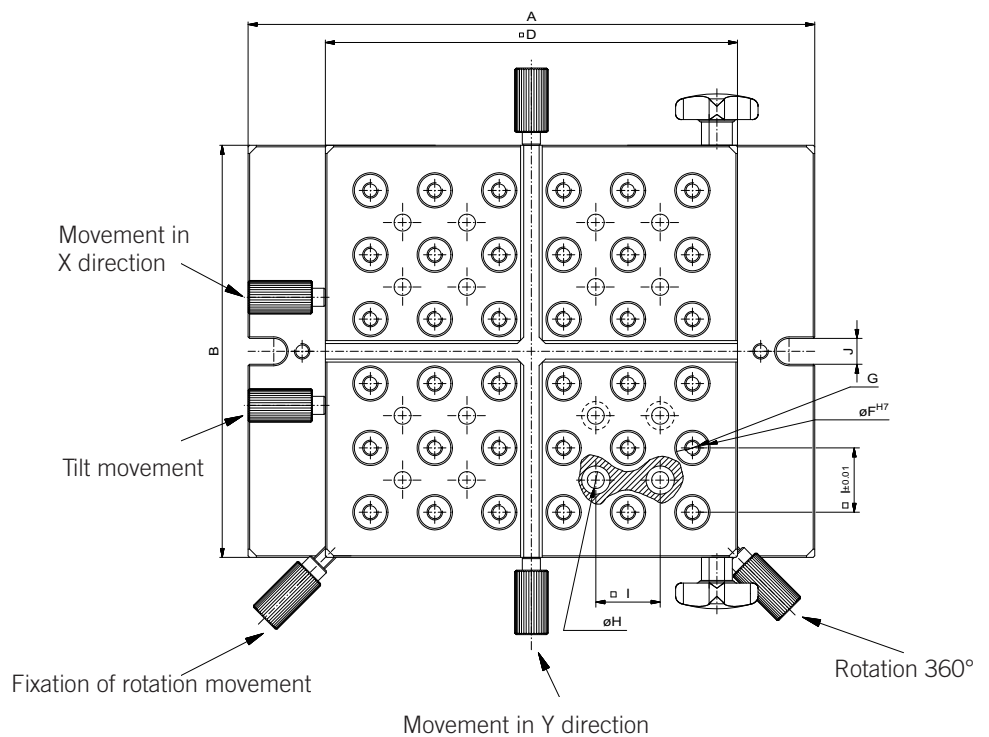
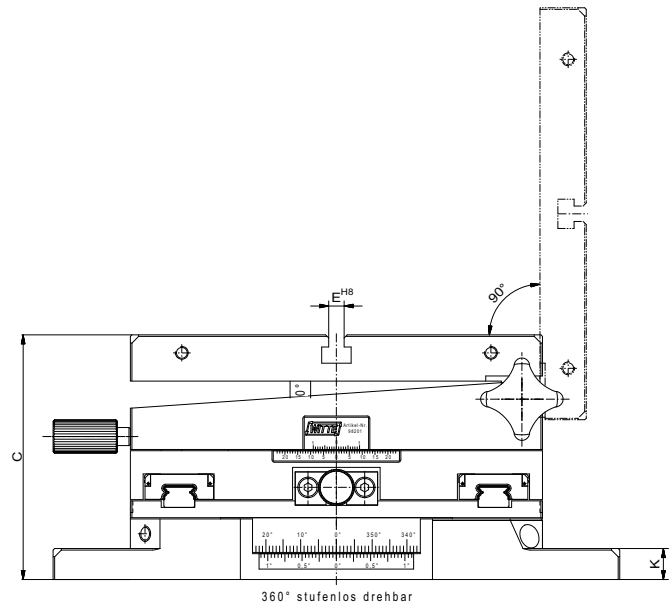




Tilt and turntable for measuring instruments

for positioning and clamping in 4 axes

| Nr. | A | B | C | D | E | F | G | H | I | J | K | g |
|-------|-----|-----|----|-----|---|------|----|-----|----|----|----|-------|
| 98201 | 220 | 160 | 95 | 160 | 6 | 12,5 | M6 | 6,6 | 25 | 10 | 12 | 9.500 |



Tilt/Turntable for individual workpiece location and clamping.

For linear measurement on surface, roughness and/or roundness measuring equipment it is necessary to align surfaces/outlines to be measured parallel to the measuring axis or to move the part into the corresponding axis.

Because this is often a problem especially with uneven, convex or concave parts, so-called swivel tables are used.

This novel Witte turntable concept offers advantages of our renowned system technology - lightweight design with high stability, and together with modular fixturing elements is ideal for integrating into existing environments.

The Witte tilt/turntable is an excellent stand alone solution to combine with 3D coordinate measuring machines



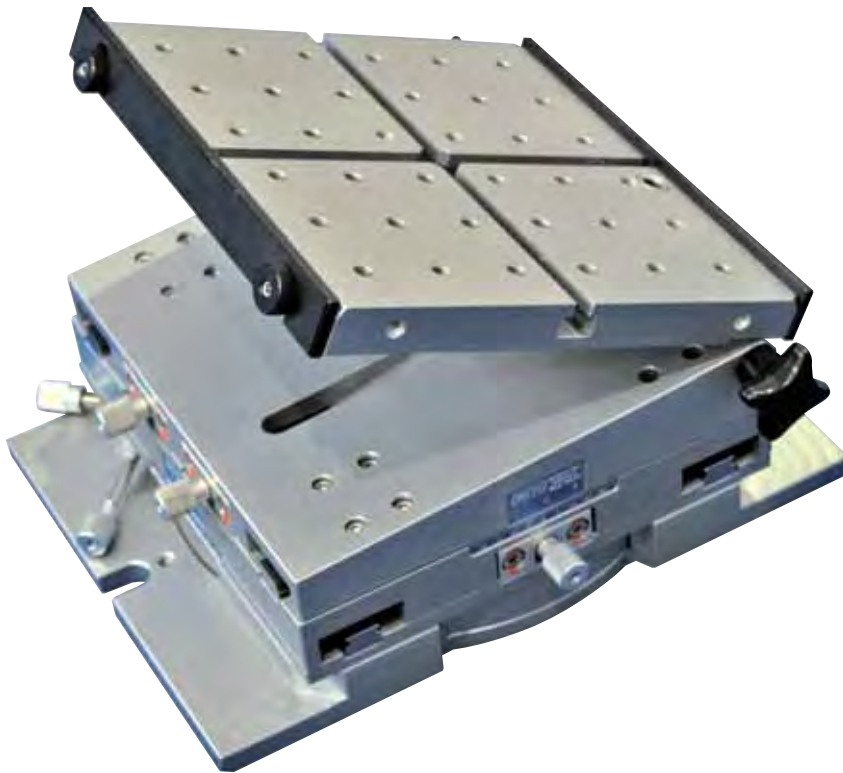
Tilt/Turntable for individual workpiece location and clamping.

For linear measurement on surface, roughness and/or roundness measuring equipment it is necessary to align surfaces/outlines to be measured parallel to the measuring axis or to move the part into the corresponding axis.

Because this is often a problem especially with uneven, convex or concave parts, so-called swivel tables are used.

This novel Witte turntable concept offers advantages of our renowned system technology - lightweight design with high stability, and together with modular fixturing elements is ideal for integrating into existing environments.

The Witte tilt/turntable is an excellent stand alone solution to combine with 3D coordinate measuring machines


Technical data

Dimensions L x W x H:.....220 mm x 160 mm x 95 mm (folded)

Positioning:Rotation 360°

Setting:X- und Y-Axis with linear guide $\pm 12,5$ mm

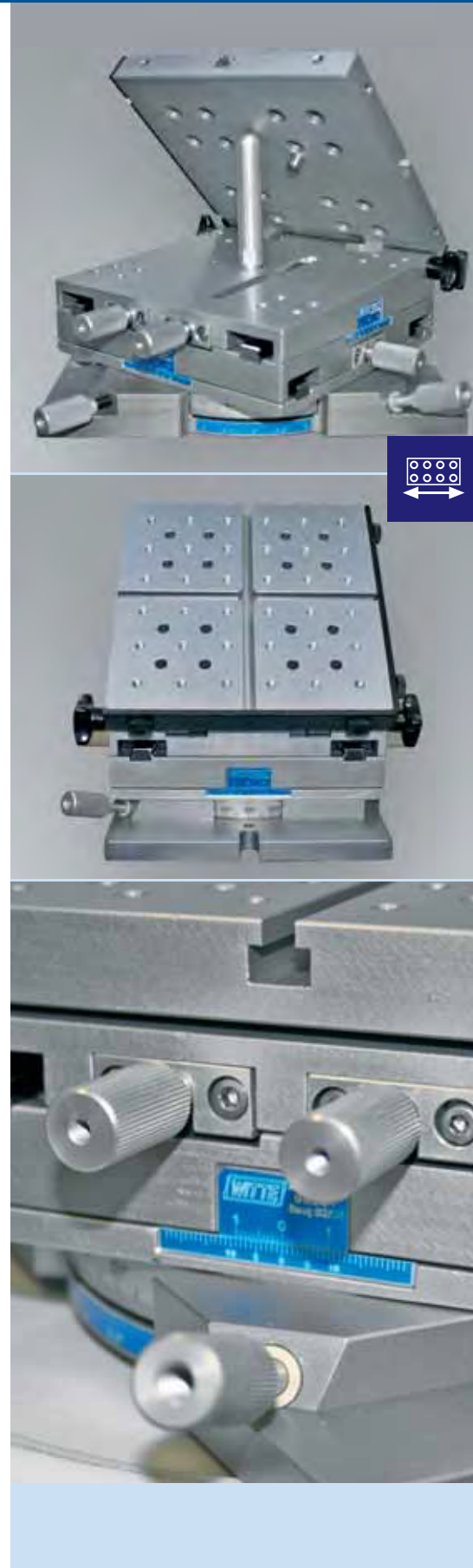
Angled table surface: $\pm 3^\circ$

(all above settings are infinite, lockable in any position)

Table angle:up to 90°; optional lock possibilities at 45° and 90°

Further technical information:

- T-slots in table centre (90° offset)
- 36 M5 threaded holes, 16 holes for fixing pins Dia. 6
- Moveable stops for outer edges
- Finely ground table under surface for accurate base connection
- Face end threads and slots for fixation
- Capacity max 100N



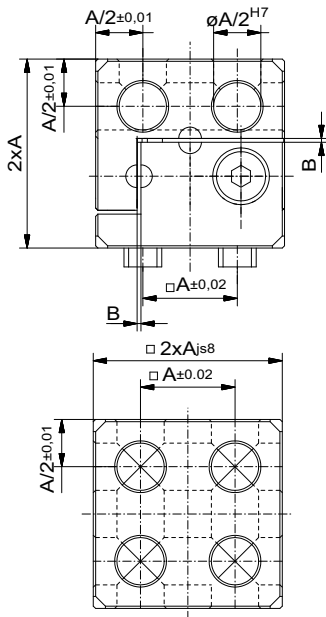
ALUFIX CLASSIC elements can be anodized in different colours. The colour natural is standard, black (-1) is available as an alternative. Other colours on request.



ALUFIX shim blocks

Adjustment in X,Y,Z takes place by inserting or removing shim foils or shims. After adjustment settings are fixed using pins.

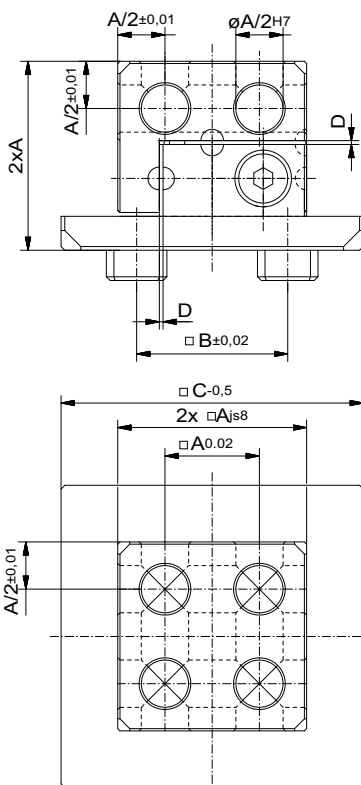
Values shown in the chart for range of adjustment are maximal values for one axis. Values in brackets show adjustment range when using more than one axis simultaneously.



3D Shim block AF

for fine adjustment in 3 axes X,Y,Z, using shim foils (page 78).

| Nr. | øE/D (AF) | A x B x C | shift | |
|-------|-----------|-------------|----------------------|-------|
| 89177 | 12,5/25 | 50x50x50 | x,y,z: +/- 1,0 (0,7) | 294 |
| 89178 | 20/40 | 80x80x80 | x,y,z: +/- 1,6 (1,1) | 1.100 |
| 89179 | 25/50 | 100x100x100 | x,y,z: +/- 2,0 (1,4) | 2.326 |



3D Shim block, reducer

for fine adjustment in 3 axes X,Y,Z, using shim foils (page 78).

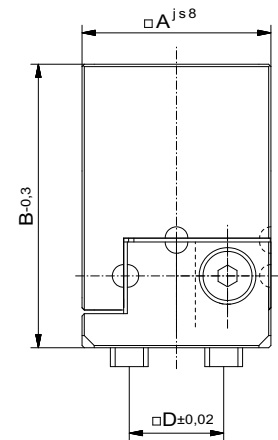
| Nr. | E (AF) | A x B x C x D | F | shift | Typ | |
|--------|--------|---------------|------|----------------------|-------|-----|
| 91837 | 40/25 | 50x50x50x80 | 12,5 | x,y,z: +/- 1,0 (0,7) | left | 537 |
| 280764 | 40/25 | 50x50x50x80 | 12,5 | x,y,z: +/- 1,0 (0,7) | right | 537 |
| 91838 | 50/25 | 50x50x50x100 | 12,5 | x,y,z: +/- 1,0 (0,7) | | 632 |



3D Shim block with integrated contour block

for fine adjustment in 3 axes X,Y,Z, using shim foils (page 78).

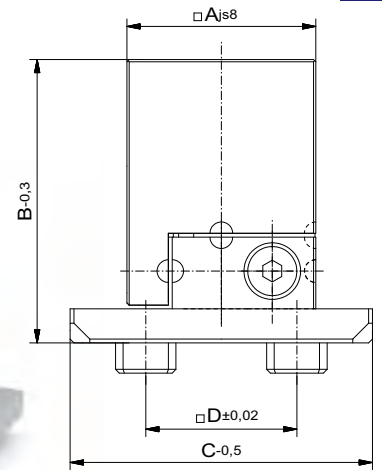
| Nr. | D (AF) | AxAxB | shift | |
|-------|--------|-------------|----------------------|-------|
| 91834 | 25 | 50x50x70 | x,y,z: +/- 1,0 (0,7) | 473 |
| 91835 | 40 | 80x80x120 | x,y,z: +/- 1,6 (1,1) | 2.074 |
| 91836 | 50 | 100x100x150 | x,y,z: +/- 2,0 (1,4) | 4.275 |



3D Shim block, reducer with contour block

for fine adjustment in 3 axes X,Y,Z, using shim foils (page 78).

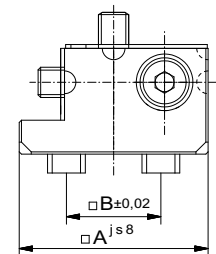
| Nr. | D (AF) | AxAxBxC | shift | |
|-------|--------|--------------|----------------------|-----|
| 91839 | 40/25 | 50x50x75x80 | x,y,z: +/- 1,0 (0,7) | 645 |
| 91840 | 50/40 | 50x50x75x100 | x,y,z: +/- 1,6 (1,1) | 743 |



3D Shim block base, side mounting

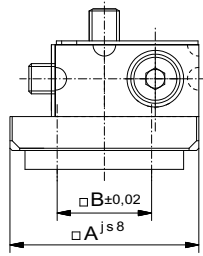
complete with shims and screws

| Nr. | B (AF) | AxA | |
|-------|--------|---------|-------|
| 92165 | 25 | 50x50 | 203 |
| 92166 | 40 | 80x80 | 778 |
| 92167 | 50 | 100x100 | 1.485 |



ALUFIX CLASSIC elements can be anodized in different colours. The colour natural is standard, black (-1) is available as an alternative. Other colours on request.

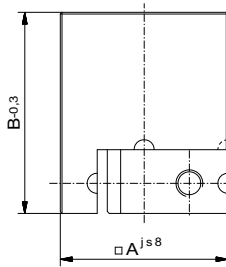
Other versions on request



3D Shim block base, face mounting

including coupling, complete with shims and screws

| Nr. | B (AF) | A x A | g |
|-------|--------|-----------|-------|
| 92226 | 25 | 50x50 | 203 |
| 92227 | 40 | 80x80 | 778 |
| 92228 | 50 | 100x100 | 1.485 |
| 92229 | 25 | 75 x 75 | 456 |
| 92230 | 40 | 120 x 120 | 1.750 |
| 92231 | 50 | 150 x 150 | 3.341 |

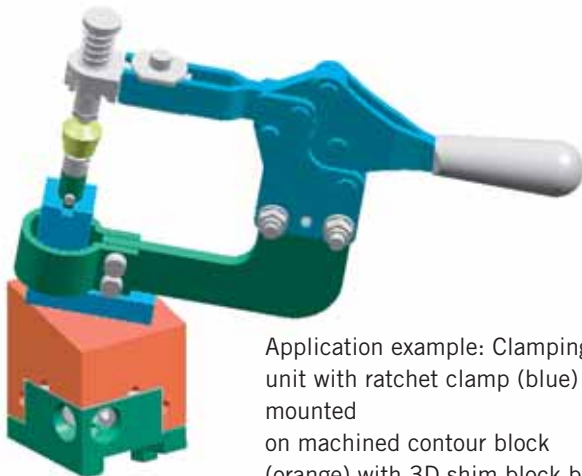


Contour block

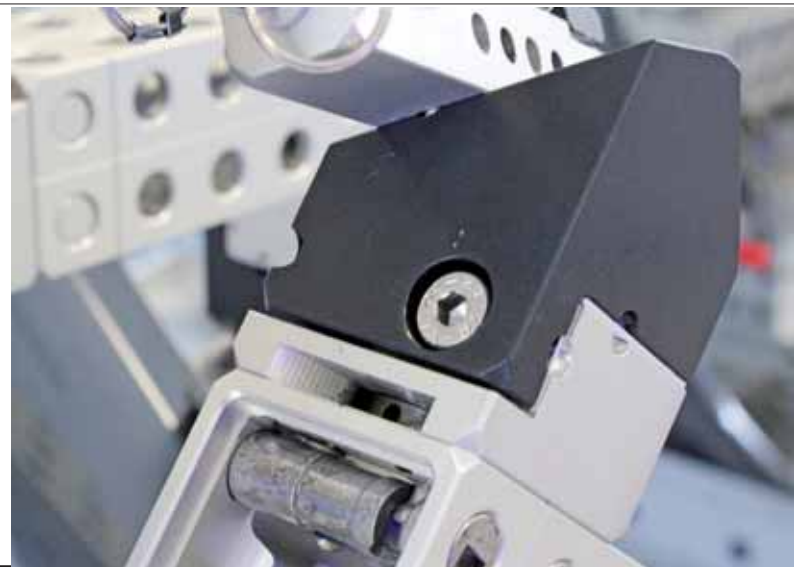
for 3D Shim block

| Nr. | B (AF) | A x A x B | g |
|-------|--------|-------------|-------|
| 34768 | 25 | 50x50x65 | 356 |
| 34769 | 25 | 50x50x90 | 536 |
| 34770 | 25 | 75x75x65 | 866 |
| 34771 | 40 | 80x80x104 | 1.879 |
| 34772 | 40 | 80x80x144 | 2.227 |
| 34773 | 40 | 120x120x104 | 4.871 |
| 34774 | 50 | 100x100x130 | 2.926 |
| 34775 | 50 | 100x100x180 | 5.833 |
| 34776 | 50 | 150x150x130 | 6.900 |

Other dimensions on request




Application example: Clamping unit with ratchet clamp (blue) mounted on machined contour block (orange) with 3D shim block base



Shim block premium

with two shim packages for each direction of adjustment



-  Shim package I:
For setting zero position, held magnetically
- Shim package II:
To even out workpiece tolerances




Application example: Premium shim block with centering pin



Application example: Premium shim block with clamping unit with ratchet clamp mounted on machined contour block



 **ALUFIX CLASSIC** elements can be anodized in different colours. The colour natural is standard, black (-1) is available as an alternative. Other colours on request.

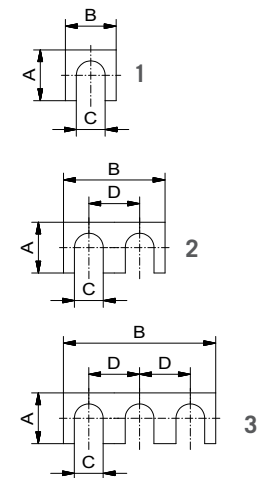
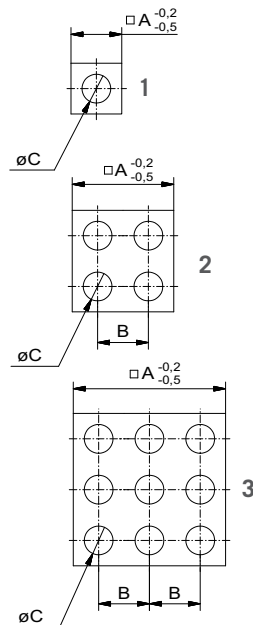
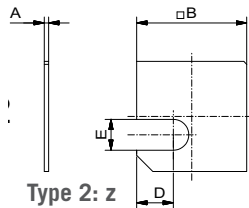
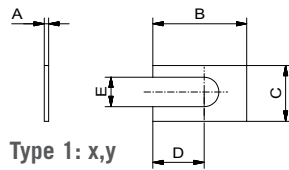
 Detailed information on request



Peelable shim foil
for gaps between elements,
in various thicknesses.
Comprises of 0,05mm
thick laminated alu-foils.
The easy process of peeling
with a knife can be carried
out on the spot when spa-
cers are required.

The advantages:

- Tolerances are evened out making remachining jobs such as milling, grinding etc. unnecessary
- Reduces setting up times
- Reduces amount of machining required



Shimfoil type 1 or 2

peelable, in 0,05mm layers, for setting of shim blocks

| Nr. | System | Type | A | B | C | D | E | g |
|-------|--------|------|-----|------|----|------|----|-----|
| 33013 | AF 25 | 2 | 1,0 | 37,5 | - | 12,5 | 10 | 1,5 |
| 33014 | AF 25 | 1 | 1,0 | 32 | 19 | 20,5 | 10 | 2,5 |
| 33261 | AF 40 | 2 | 1,6 | 60,5 | - | 20,5 | 20 | 6 |
| 33260 | AF 40 | 1 | 1,6 | 50 | 30 | 30 | 14 | 9 |
| 33632 | AF 50 | 2 | 2,0 | 75 | - | 25 | 25 | 12 |
| 33633 | AF 50 | 1 | 2,0 | 60 | 38 | 35 | 18 | 19 |

Shimfoil closed

peelable, 2mm thick, in 0,05mm layers

| Nr. | System | Type | A | B | C | g |
|-------|--------|------|-----|----|------|----|
| 27716 | AF 16 | 1 | 15 | 16 | 8,5 | 1 |
| 27717 | AF 16 | 2 | 31 | 16 | 8,5 | 4 |
| 27718 | AF 16 | 3 | 47 | 16 | 8,5 | 1 |
| 27719 | AF 25 | 1 | 24 | 25 | 13 | 5 |
| 27720 | AF 25 | 2 | 49 | 25 | 13 | 10 |
| 27721 | AF 25 | 3 | 74 | 25 | 13 | 20 |
| 27722 | AF 40 | 1 | 39 | 40 | 20,5 | 6 |
| 27723 | AF 40 | 2 | 79 | 40 | 20,5 | 26 |
| 27724 | AF 40 | 3 | 119 | 40 | 20,5 | 60 |
| 29315 | AF 50 | 1 | 49 | 50 | 25,2 | 10 |
| 29316 | AF 50 | 2 | 99 | 50 | 25,5 | 41 |
| 29317 | AF 50 | 3 | 149 | 50 | 25,5 | 95 |

Shimfoil open

peelable, 2mm thick, in 0,05mm layers

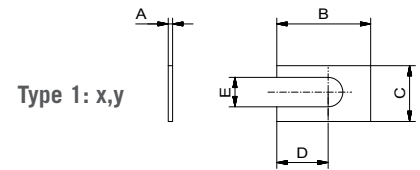
| Nr. | System | Type | A | B | C | D | g |
|-------|--------|------|----|-----|------|----|----|
| 25526 | AF 16 | 1 | 15 | 15 | 8,5 | - | 1 |
| 25527 | AF 16 | 2 | 15 | 31 | 8,5 | 16 | 1 |
| 25528 | AF 16 | 3 | 15 | 47 | 8,5 | 16 | 2 |
| 25529 | AF 25 | 1 | 24 | 24 | 13 | - | 2 |
| 25530 | AF 25 | 2 | 24 | 49 | 13 | 25 | 4 |
| 25531 | AF 25 | 3 | 24 | 74 | 13 | 25 | 10 |
| 25535 | AF 25 | 2 | 49 | 49 | 13 | 25 | 8 |
| 25532 | AF 40 | 1 | 39 | 39 | 20,5 | - | 8 |
| 25533 | AF 40 | 2 | 39 | 79 | 20,5 | 40 | 10 |
| 25534 | AF 40 | 3 | 39 | 119 | 20,5 | 40 | 16 |
| 27963 | AF 50 | 1 | 49 | 49 | 25,5 | - | 8 |
| 27964 | AF 50 | 2 | 49 | 99 | 25,5 | 50 | 16 |
| 27965 | AF 50 | 3 | 49 | 149 | 25,5 | 50 | 25 |

Shim (with fixed thickness)

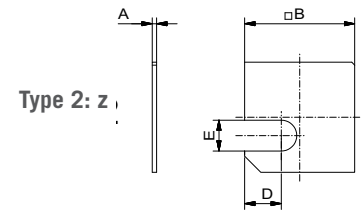
for setting of shim blocks

| Nr. | System | Type | A | B | C | D | E |
|-------------------|--------|------|-----------|------|------|------|----|
| 122 010 - 122 200 | AF25 | 1 | 0,1 - 2,0 | 32 | 19 | 20,5 | 10 |
| 123 010 - 123 200 | AF25 | 2 | 0,1 - 2,0 | 37,5 | 37,5 | 12,5 | 10 |
| 124 010 - 124 320 | AF40 | 1 | 0,1 - 3,2 | 50 | 30 | 30 | 14 |
| 125 010 - 125 320 | AF40 | 2 | 0,1 - 3,2 | 60,5 | 60,5 | 20,5 | 20 |
| 126 010 - 126 400 | AF50 | 1 | 0,1 - 4,0 | 60 | 38 | 35 | 18 |
| 127 010 - 127 400 | AF50 | 2 | 0,1 - 4,0 | 75 | 75 | 25 | 25 |

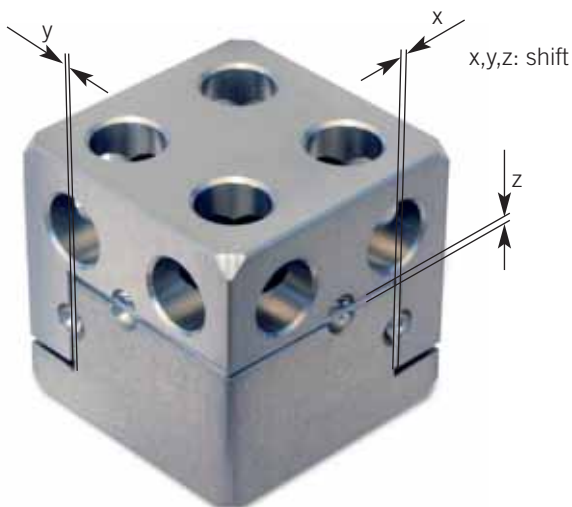
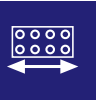
i Last three digits of order number correspond to shim thickness in 1/100mm.
 Example:
 Shim AF25 type 2: **No. 123XXX**,
 Desired thickness: 1,65 mm
 Order number is **123165**



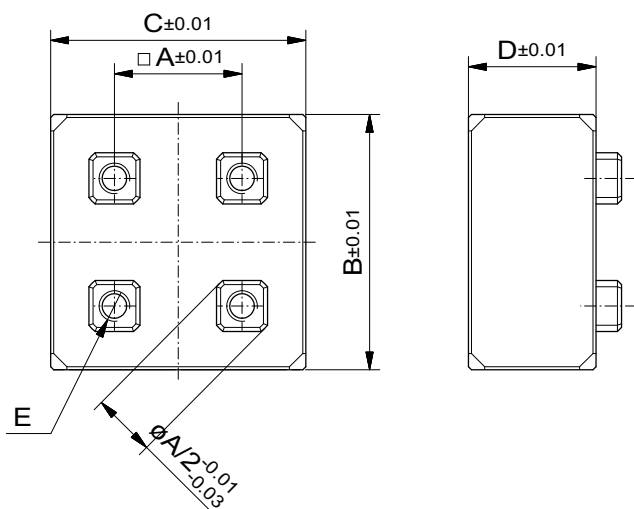
Type 1: x,y



Type 2: z



Adjustment takes place by adding or taking away shims and/or shim foils.
 After adjustment settings can be fixed using pins.



Contour blocks

ALUFIX 25 / 40 / 50

| Nr. | A(AF) | B | C | D | E | g |
|-------|-------|-----|-----|-----|-----|--------|
| 23366 | 25 | 25 | 25 | 25 | M6 | 45 |
| 23367 | 25 | 25 | 50 | 25 | M6 | 89 |
| 23368 | 25 | 50 | 50 | 25 | M6 | 179 |
| 23617 | 25 | 50 | 75 | 25 | M6 | 268 |
| 25312 | 25 | 25 | 50 | 50 | M6 | 179 |
| 23369 | 25 | 50 | 50 | 50 | M6 | 358 |
| 25314 | 25 | 50 | 75 | 50 | M6 | 536 |
| 23618 | 25 | 100 | 100 | 50 | M6 | 1.430 |
| | | | | | | |
| 23630 | 40 | 40 | 40 | 40 | M10 | 183 |
| 23631 | 40 | 40 | 80 | 40 | M10 | 366 |
| 23632 | 40 | 80 | 80 | 40 | M10 | 732 |
| 23633 | 40 | 80 | 120 | 40 | M10 | 1.098 |
| 25313 | 40 | 40 | 80 | 80 | M10 | 732 |
| 23634 | 40 | 80 | 80 | 80 | M10 | 1.464 |
| 25315 | 40 | 80 | 120 | 80 | M10 | 2.196 |
| 23635 | 40 | 160 | 160 | 80 | M10 | 5.857 |
| | | | | | | |
| 28049 | 50 | 50 | 50 | 50 | M12 | 358 |
| 28050 | 50 | 50 | 100 | 50 | M12 | 715 |
| 28051 | 50 | 100 | 100 | 50 | M12 | 1.430 |
| 28052 | 50 | 100 | 150 | 50 | M12 | 2.145 |
| 27537 | 50 | 50 | 100 | 100 | M12 | 1.430 |
| 28053 | 50 | 100 | 100 | 100 | M12 | 2.860 |
| 27367 | 50 | 100 | 150 | 100 | M12 | 4.290 |
| 28054 | 50 | 200 | 200 | 100 | M12 | 11.440 |



ALUFIX CLASSIC elements can be anodized in different colours. The colour natural is standard, black (-1) is available as an alternative. Other colours on request.

Other dimensions on request

Meisterbock for automobile
All contour blocks are anodized red
according to customer's request

